

Read 'awl' about it

The Lockdown Newsletter from

The Cannock Chase Shed

Issue No. 32

Submissions and suggestions to Bob Mason at:

shednewsletter@virginmedia.com

week ending Sat 19th June 2021

Happy Father's Day 20th June 2021

In This Issue....

- Shed News
- Meet the Committee
- Notices
- Bloomin' Cannock Chase
- Crossword No 10
- Spot the Difference
- Latest Scams
- Sudoku 37-41
- Project - Folding Fishing Stool
- Wordsearch – Cricket Players
- Humour
- Project - Folding Workbench
- Answers to Puzzles



Shed News

Cannock Chase Shed Zoom Webchats

These are still taking place at **10.30 am each Monday**

Committee meetings are held on Tuesdays

(for committee members only)

If you'd like to drop in, please contact Barry (barrykjames@yahoo.com) who will help you to get set up, and send you an invitation to join the meeting.

Check our webpage...

...for information about our Shed, updates about reopening and back issues of the newsletter.

<https://cannockchaseshed.org.uk/>

We are on Facebook...

Remember we have a Facebook page, where you can chat with friends, exchange ideas or ask for advice, as well as sharing your projects.

If you are having trouble finding the bits you need for your project, why not post a request? Another member may have just what you're looking for sitting unused in their garage, or they may know where you can get one.

If you have useful items that you are loath to throw away, why not put up a post, offering them to other members, before consigning them to the tip?

Official Facebook page: Private Group

<https://www.facebook.com/groups/cannockchaseshedders>

Meet the Committee

Dave Shaw	Chairman
Leslie Jukes	Deputy chairman
Barry James	Health & Safety
Avril Green	Fundraising/Secretary
Graham Johnson	Treasurer
Tim Cutler	Project Manager

Shed Media

Peter Ross	Website/Facebook Group
Bob Mason	Newsletter

Could you...



- Sort through your photos and send me a picture and a few words? – your pet, garden, favourite holiday, your most useful tool, a current or past project, a cooking success (or disaster) or favourite recipe? – Pretty much anything you like.
- send me a suggestion of something you'd like to see included in the newsletter? – anything from just a broad idea, to a finished article.
- send in a 'reader's letter'? Share an anecdote or treasured memory? Share your expertise with those who have less experience?
- Send in something else, or help in another way that I haven't even mentioned?

Or if your shy pass it to one of the committee!!

Notices

If anyone has changed their phone number or email address since first joining the Shed can they please send the new details to Graham at enquiries@cannockchaseshed.org.uk so he can update his records.

Diary Dates:

7th June - First day we get the keys to open the Shed – Committee only.

There is work to be done inside and out to prepare for full opening.

14th June -- Committee only*

21st June -- Committee only*

* Members are welcome to drop in between 10 – 4 for informal chats (outdoors only) under the usual Covid restrictions.

28th June – Hopefully open to Members. We're working on it. More details to follow.

3rd August – 10:30 Shed AGM (Provisional)

CCShed Membership status:

Following recent inquiries, members are advised that all memberships from 2020 remain active and are being automatically extended until such time as we can meet to arrange renewal subscriptions.

Bloomin' Cannock Chase

Hednesford have entered this new Competition. As this must be done by volunteers and no paid work, all Community Groups have been asked to help out. Just one area of the Town will have all the attention and Stookies Walkway has been chosen - The Alleyway by the side of the old B&M Store running from Market Street to and from the back of Aldi Car Park. It was named after Dr Stook who had his surgery on what is now Woodland Court.

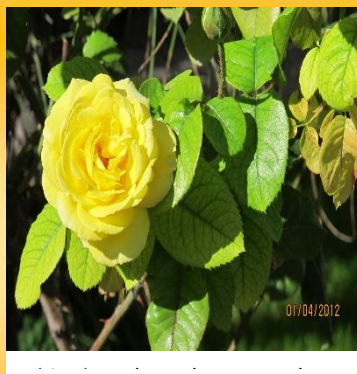
It's in a really bad way. Graffitied and overgrown vegetation. With the usual rubbish strewn about. Volunteers have arranged to meet up on Sunday 13th June to start on clearing the site. It is hoped that Volunteers will paint the walls once they have been cleaned by a local Contractor, who offered to do the work free of charge.

A photo will be taken before and after so the Judges have a good idea of how much work has been done.

We, as the Shed, have no time to offer as a Group before the Competition ends mid-July but, if any member is able to help assemble some planters already made, on site on a Sunday morning 10.00-12.00 at the end of June, please email Secretary Avril via enquiries@cannockchaseshed.org.uk so that she can confirm our help. Plants are also needed so if you have a few spare seedlings...

Thank you.

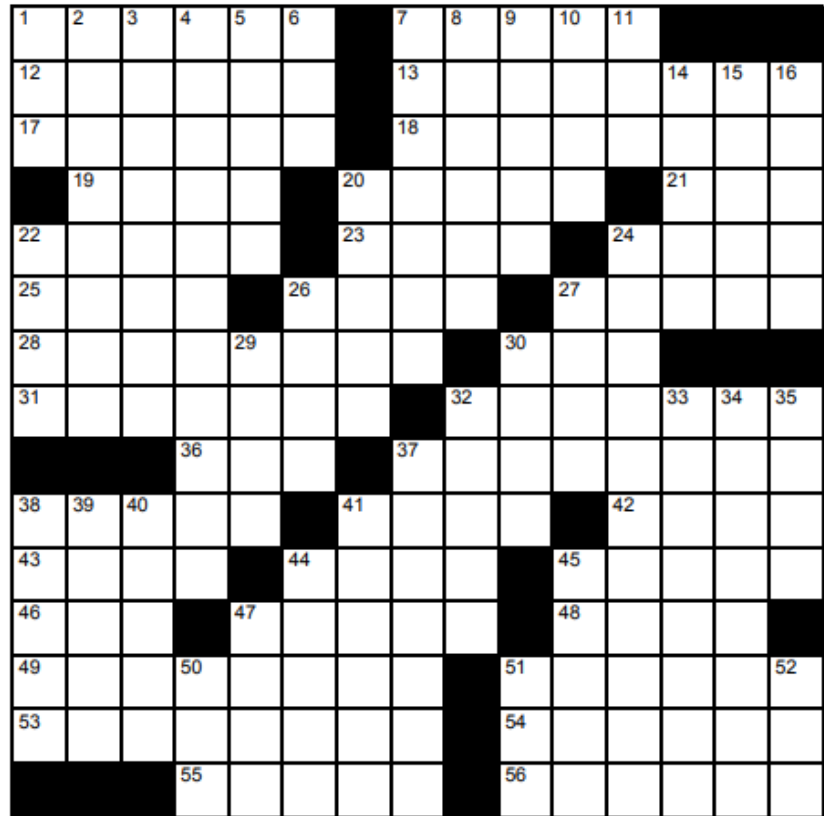
Avril



Crossword #10

Across

- 1. One-upped
- 7. Stair part
- 12. Disinclined
- 13. Like many Disney films
- 17. Indicate
- 18. Rub the wrong way
- 19. Disturb
- 20. Stevie Wonder's "My Cherie ____"
- 21. Destroy the interior of
- 22. Marine mammal
- 23. Kind of tide
- 24. Awaited
- 25. Tune for two
- 26. Rip apart
- 27. Underground worker
- 28. Christmas decoration
- 30. NYC sight
- 31. Meditation location
- 32. Bathroom units
- 36. Suffix with "skeptical"
- 37. Snack time for some
- 38. Assumed name
- 41. RC, e.g.
- 42. Arch type
- 43. Batter's ploy
- 44. Duck's home
- 45. Flash memory precursor
- 46. Star on Broadway
- 47. Sweater size
- 48. God with a hammer



- 49. One who's owed
- 51. Elizabeth II's husband
- 53. Camper's supply
- 54. "Catch-22" author
- 55. Panama passage
- 56. Black-tie

Down

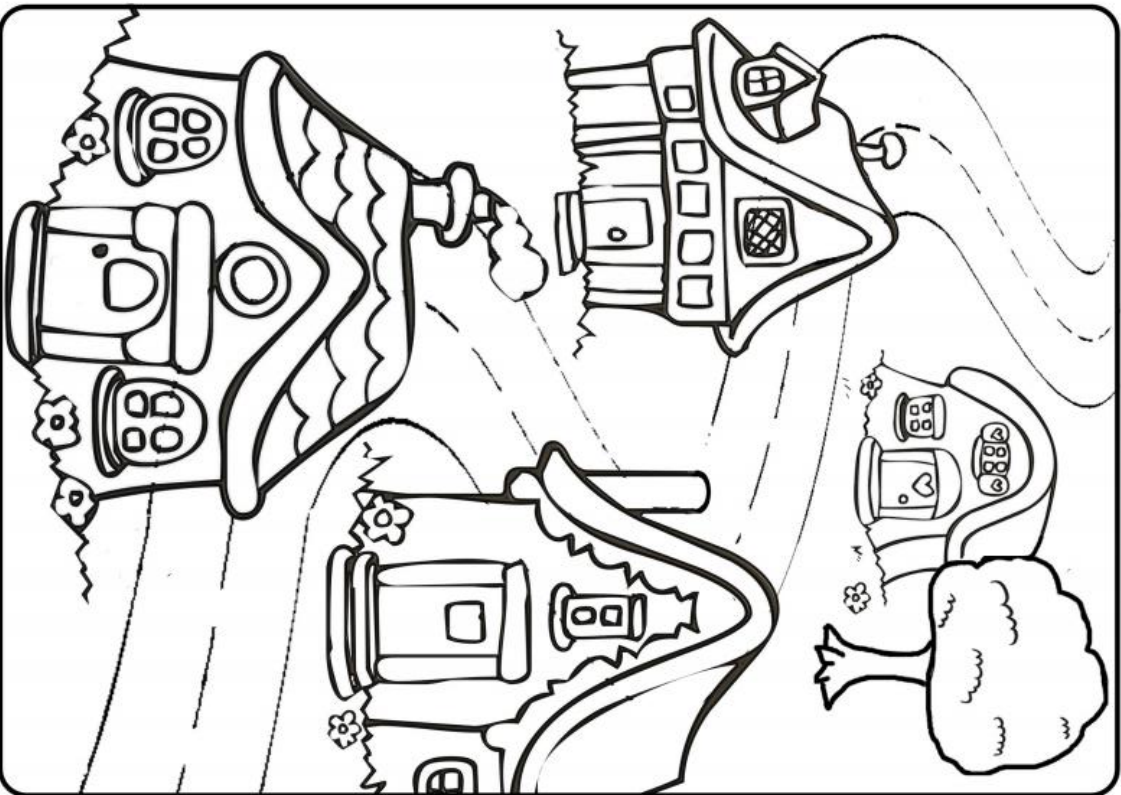
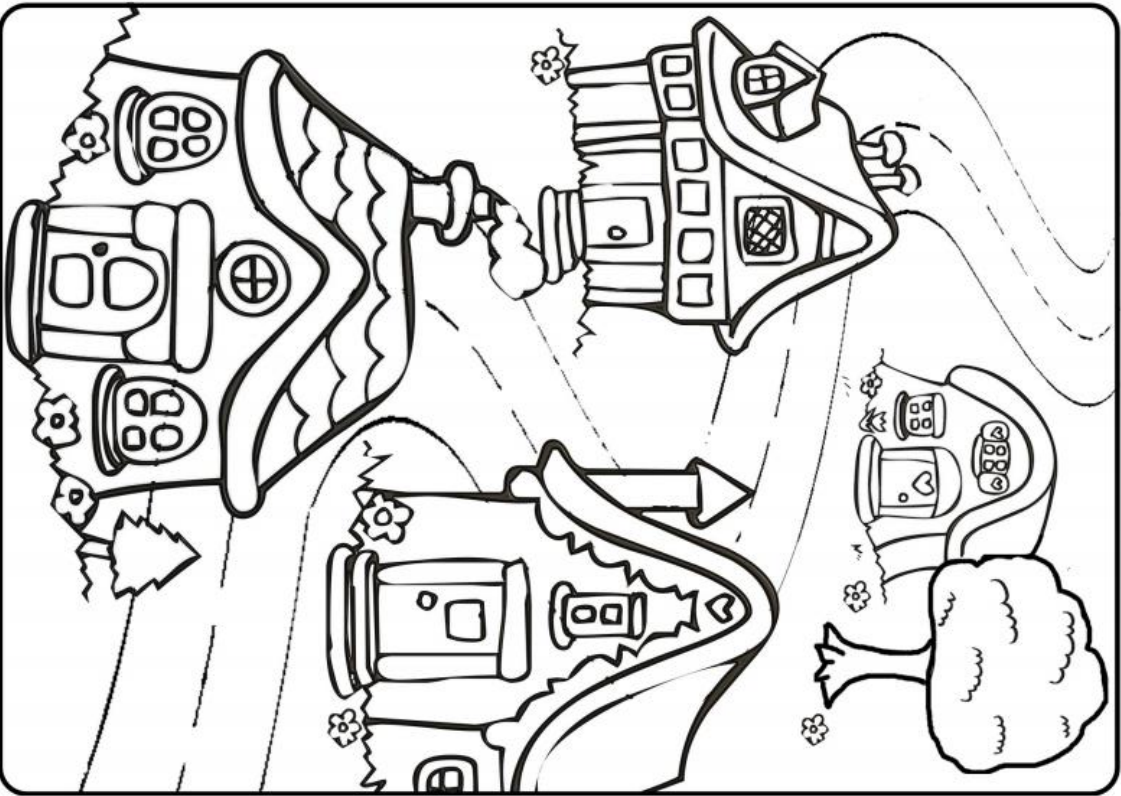
- 1. Youngest Lincoln
- 2. Introductory musical piece
- 3. Regretful
- 4. Working class
- 5. Perfume ingredient
- 6. Sandra of "Gidget"
- 7. Clothing

- 8. Bit of progress
- 9. Pancake topping (var.)
- 10. Mideast chief
- 11. Stool pigeon
- 14. Add at the end
- 15. Musical composition
- 16. Block
- 20. Regarding, old-style
- 22. Glade's target
- 24. Library regular
- 26. Quantity of paper
- 27. Land or stream starter
- 29. Predicament
- 30. Musical conclusion
- 32. Spanish squiggle

- 33. Chinese food appetizers
- 34. Scientific ideas
- 35. Petunia part
- 37. AKC reject
- 38. Taken ____
- 39. Filthy money
- 40. Place in a grave
- 41. Mexican beer
- 44. Eucharist plate
- 45. Early anesthetic
- 47. One of the Simpsons
- 50. Elmer, to Bugs
- 51. High degree
- 52. Be a busybody

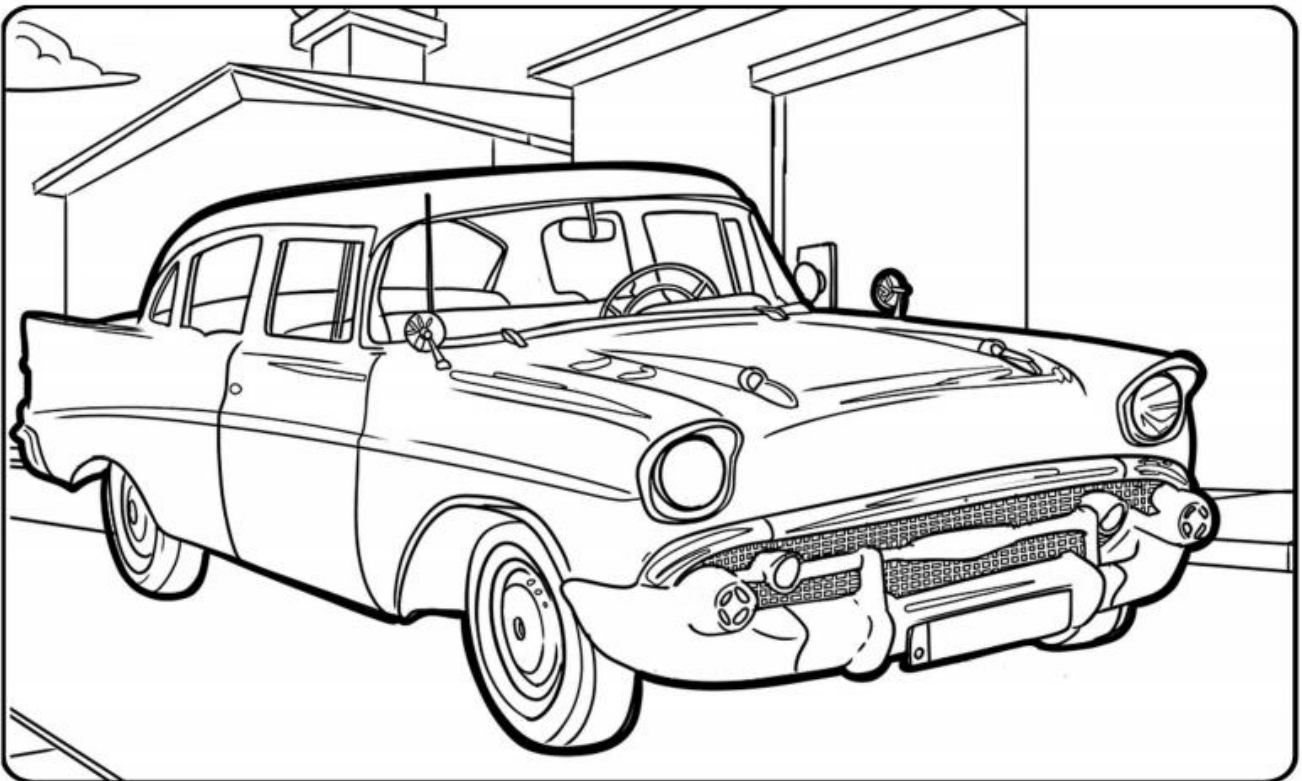
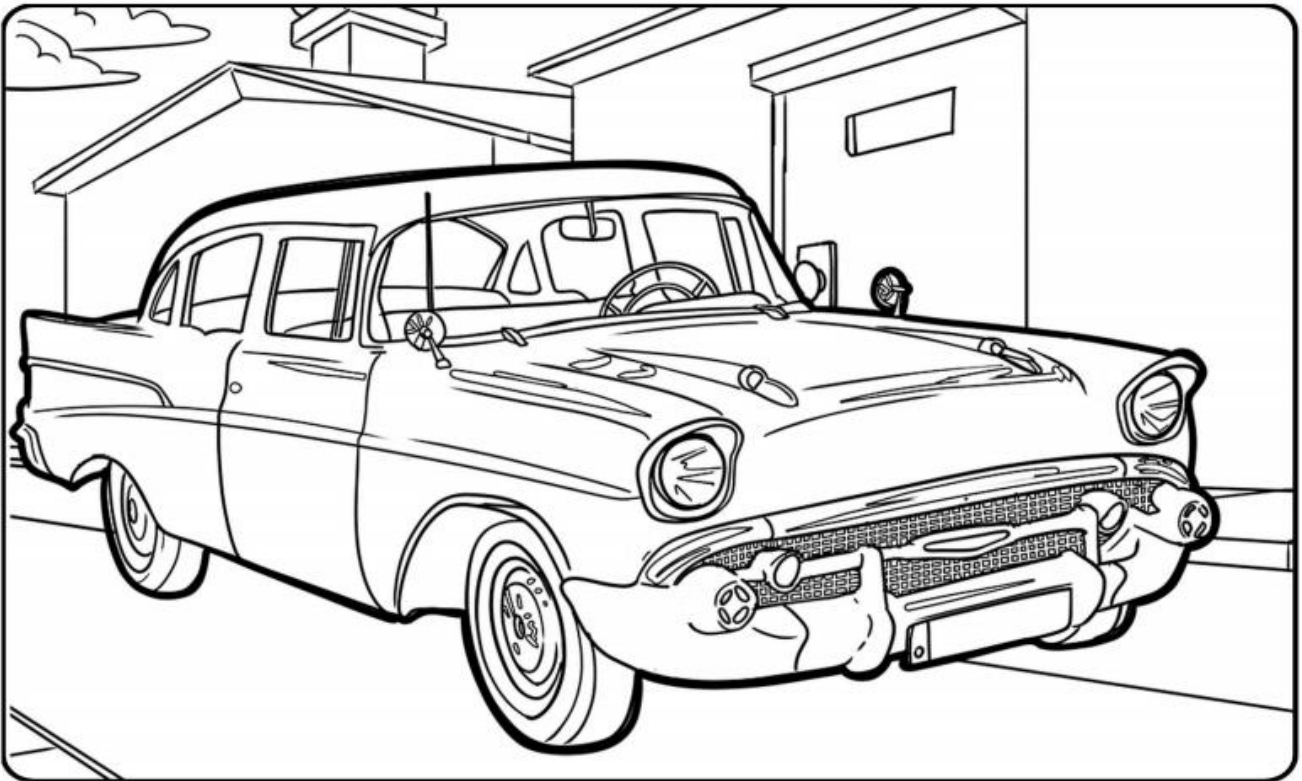
SPOT THE DIFFERENCE

Can you spot the 14 differences between these two pictures?



SPOT THE DIFFERENCE

Can you spot the 8 differences between these two pictures?



Free printable courtesy of PrintitFree.net

Latest Scams

Insurance fraud: 'crash for cash' hotspots

The Insurance Fraud Bureau (IFB) has released a [list of postcode areas](#) that it believes to be the worst affected by crash for cash insurance scams.

We explain how crash for cash works, the 30 most affected areas and how to avoid the scam.

[What are the hotspots?](#)

Census 2021 phishing

Scammers are continuing to tell people through fake texts that their Census submission either hasn't been received or that information is missing, and because of this they risk being fined £1,000.

It essentially tries to panic you into proving you've already taken part in order to extract your personal information and target you with further scams.

[Here's how to deal with the fake messages.](#)

[Census-related scam](#)

Is your bank protecting you from number spoofing scams?

Number spoofing is a valuable tool for scammers, and it makes consumers more vulnerable when phone numbers and caller ID can be manipulated to match the one on the back of someone's debit card.

Ofcom worked with the banking industry body UK Finance to identify a list of Do Not Originate (DNO) numbers so fraudsters can't copy banks' outbound numbers, but [not all are signed up to the scheme](#).

[Tackling phone number spoofing](#)

If you've received an email from Which? that you suspect to be a scam, please get in touch: [which.co.uk/contact-us](https://www.which.co.uk/contact-us)

Stay safe,

Which? scam alert team

PS Please share this information with your friends, family and neighbours – anyone who may find it helpful. Or they can [sign up here](#) to receive this directly to their inbox.

You're receiving this email because you signed up to the Which? scam alert service.

Sudoku 37

			5					
3		1				4	5	
	9				4			3
			3	8		2	9	
						1		
	2							
6		3		4				5
7	4		8					
		5		7	2			

Sudoku 38

			9			2		
		5			6	1		
6	9						3	
4					8	6		7
					7	5		
		8		5			2	
	7	9			1			
5		3		2				
			4					9

Sudoku 39

6								5
			3					1
	7		6			9	3	
	3			7				
	9						8	7
			9		5			
	8		2					3
		7					1	2
1		4		3		7		9

Sudoku 40

1		5			7		8	
		7			6			
				2	4	8	7	
6	7						9	2
4			9		2			6
							5	
	6				4			2
				2		1		9
		8						

Project – Folding Fishing Stool

Fishing folding stool plan

The fishermen simply love their hobby, they pay special attention when purchasing their equipment and they sometimes spend a small fortune on a things like the fishing pole, fishing flies, fishing vest... Some of them forget that the fishing includes the search for a suitable fishing location, which can often be very far from the camp, and all that equipment has to be worn on their backs. The fishing usually includes staying for hours at one location and it is not the same whether we are standing or sitting during that time. Based on those facts, we can easily conclude that the folding fishing stool should be the one of the most important items when getting the fishing equipment.



Whether you make or buy a fishing stool, you have to pay attention to some conditions that make a good fishing stool:

- The fishing stool will be most frequently used for sitting, so it is very important that it is sturdy enough to withstand your weight.
- The fishing stool will have a pretty rough usage, so the structure must be simple, durable and resistant to moisture, sun and water.
- Since you will carry it in your bag or in a car, it will have to fold and it should occupy as little space as possible.
- You will often spend a lot of time looking for a suitable fishing location, so your fishing stool should be light.
- Since you will be sitting for quite a long time, your fishing stool has to be comfortable.

If your fishing stool meets these requirements, it will be also suitable for use during various outdoor activities like camping, picnic, or if you like the bird watching, nature photography, etc.

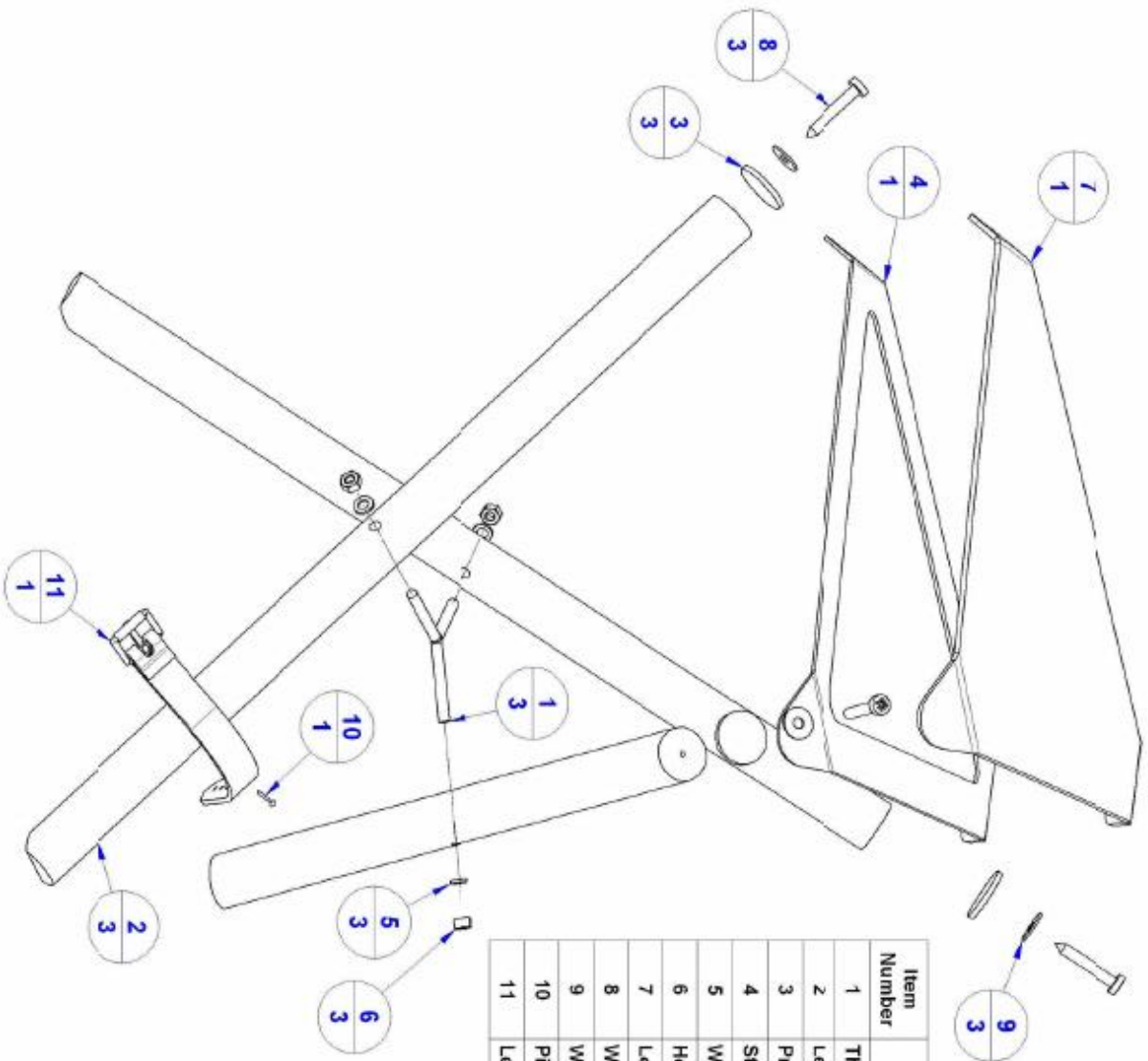
The modern fishing stools are usually made out of aluminum and nylon and can have different shapes, size and price. Although sometimes you think they are not expensive, the old saying you get what you pay for is quite true, so your cheap stool model will not last for long and you will probably be forced to look for some rock to sit on it in the middle of fishing. This does not mean that you have to buy some expensive fishing stool, because there is a simple way to get a quality fishing stool without buying it – you can make it according to our plan. We present you the 3-legged fishing stool plan for all the nature and fishing lovers that would like to make it by themselves. This plan was made based on the old fishing stool that lasted for years and was frequently used for the fishing and camping, also it was often used in the backyard. This fishing stool showed as a great and quality thing during its use and anyone who will make it will be very satisfied, because it will last for years and it will be faithful companion during your visits to nature.

You can make the Legs out of the various types of wood, but you have to pay the attention, that the wood you choose has a good bending strength and that it is firm enough to endure the pressure, so the screws that are holding the leather seat will stay firmly fixed. There is another thing regarding the wood - be sure that it does not have any knots, because the stool will eventually break on that spot. We recommend you to choose some hard and durable hardwood, suitable for outdoor use. However, if you decide to use some less resistant wood, protect it with several coats of water-proof finish. Protect it with a finish at least once a year, because your fishing stool will be often exposed to a moisture and damp. When the stool is not in use, clean it from the dirt, wipe off the moisture, dry it thoroughly and then place it in a dry place. Only then the wood and leather will last for years. With the right choice of the wood and proper finish you will get great and long lasting stool.

Parts 4 and 7 are best to make out of some kind of firm and durable leather. Since these parts are sewing together and the stitches have to be done neatly and precisely, our recommendation is to let this step do someone who already worked this before, or a professional craftsman.

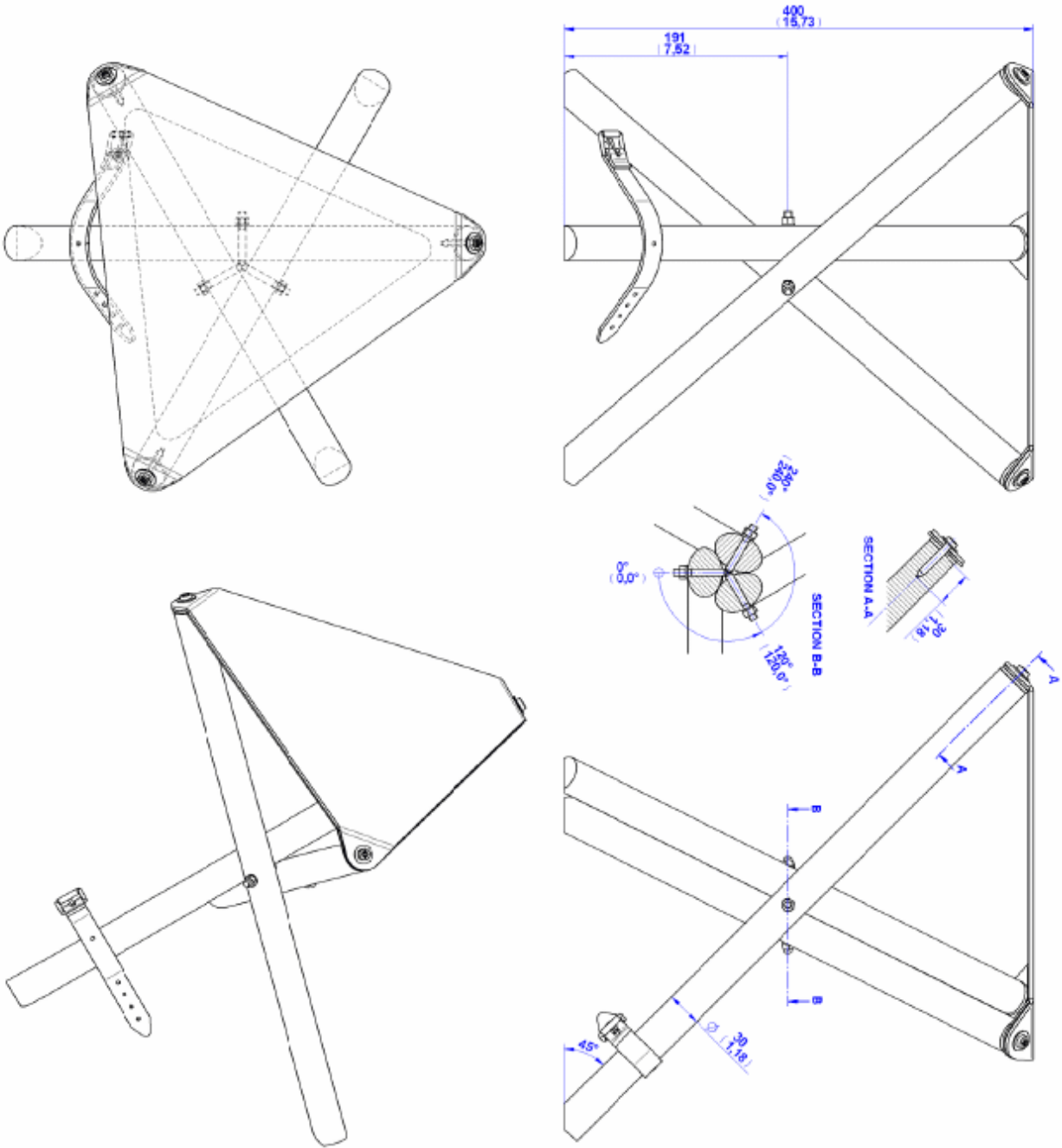
Part 3 is mandatory, because it protects the seat ends from damaging.

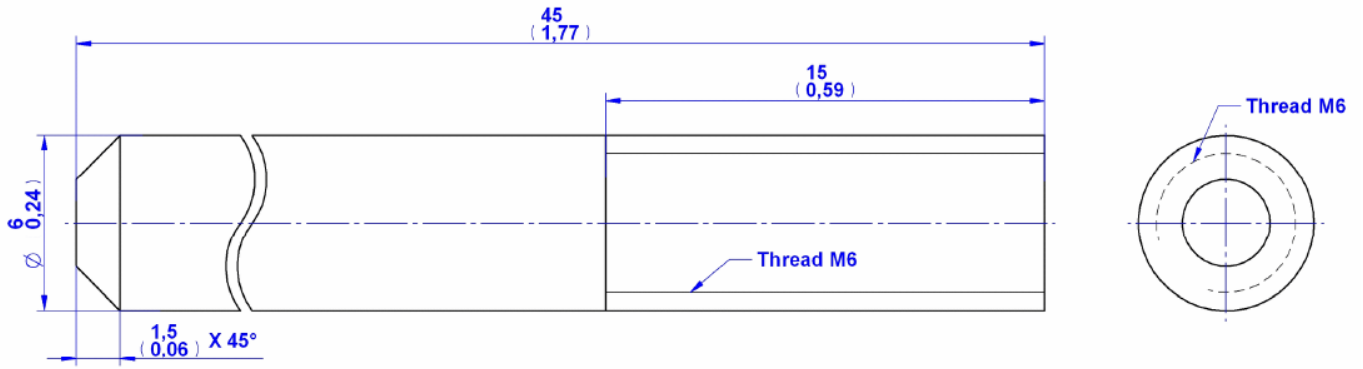
Fishing folding stool – Parts list



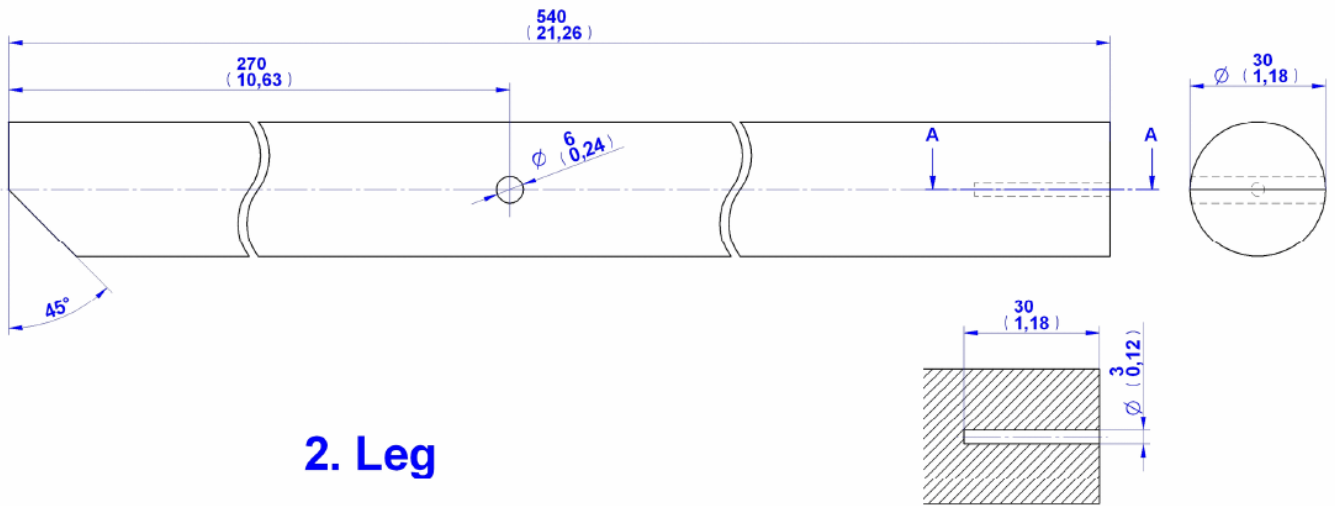
Item Number	Title	Material	Quantity
1	Threaded bar M6	Steel	3
2	Leg	Wood	3
3	Protective leather washer	Leather	3
4	Strengthening leather	Leather	1
5	Washer 6mm	Steel	3
6	Hexagon nut M6	Steel	3
7	Leather seat	Leather	1
8	Wood screw D6 x 40mm	Steel	3
9	Wide washer D6mm	Steel	3
10	Pin L13mm	Steel	1
11	Leather strap		1

Fishing folding stool – Assembly drawing



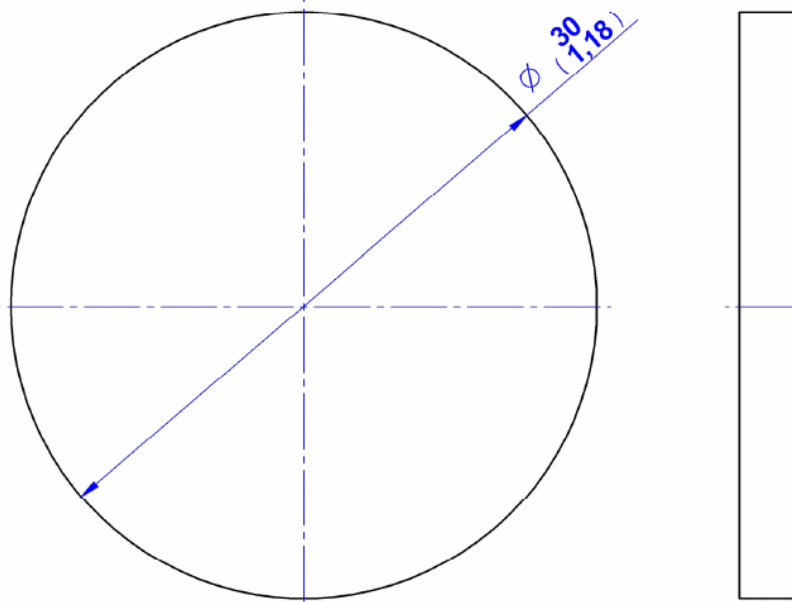


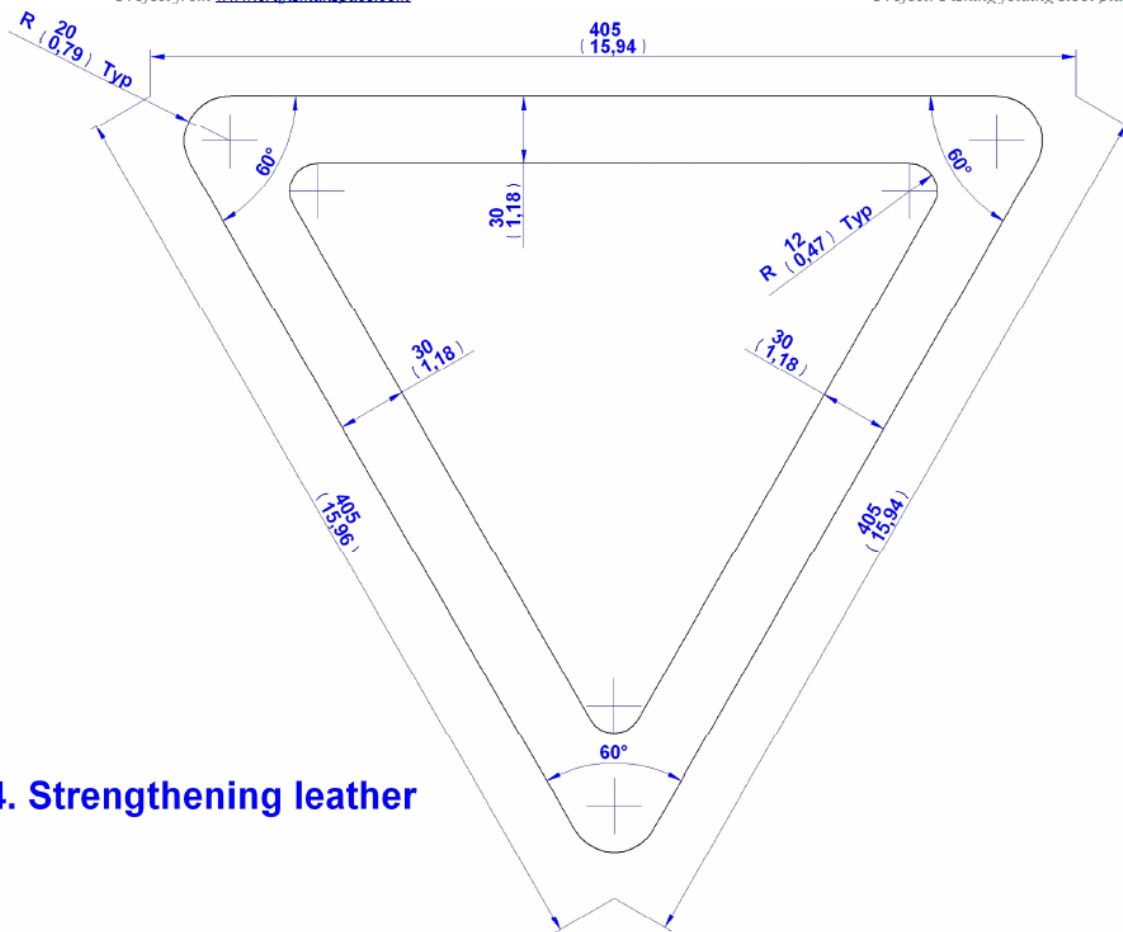
1. Threaded bar M6



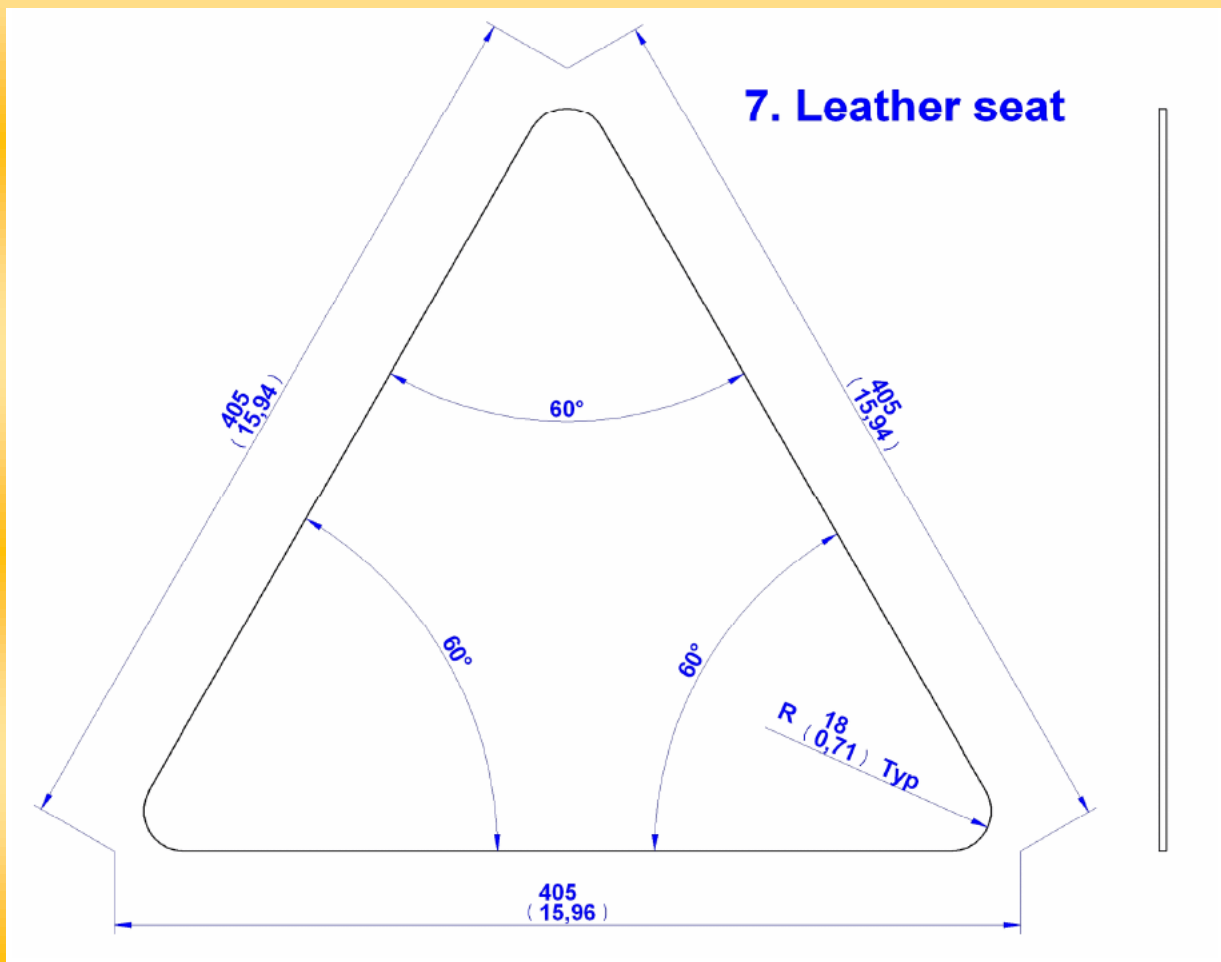
2. Leg

3. Protective leather washer



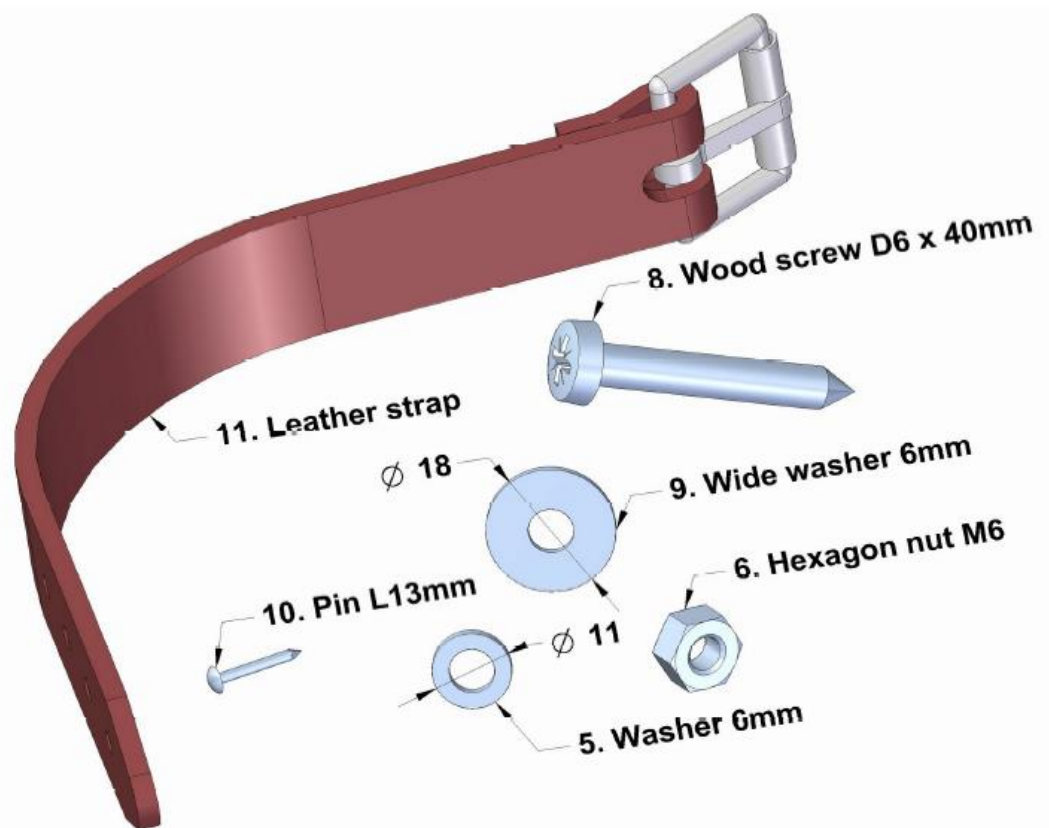


4. Strengthening leather



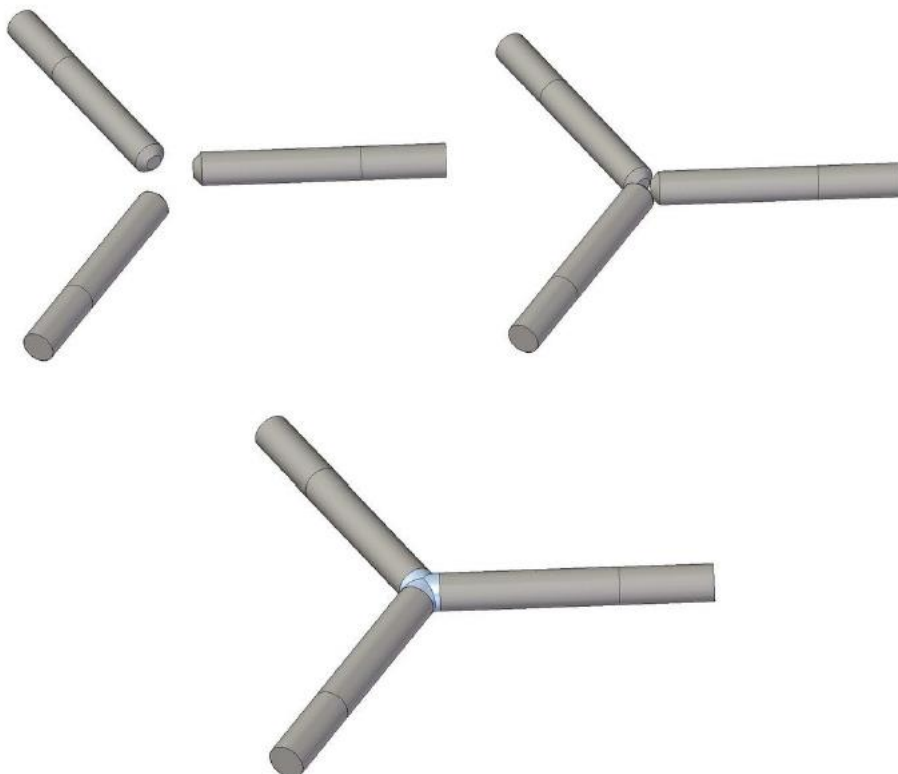
7. Leather seat

Fishing folding stool – Standard parts

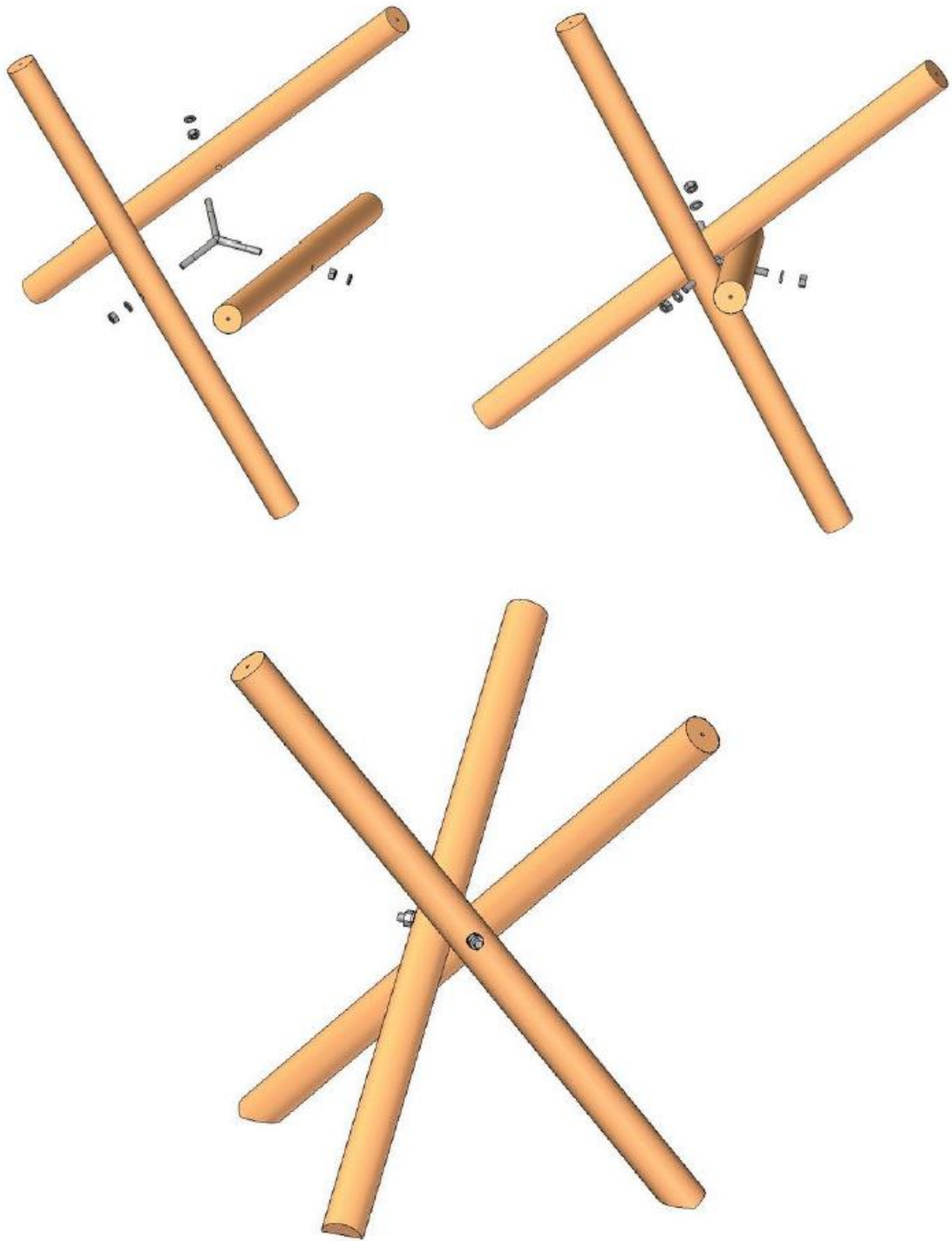


Fishing folding stool – Assemblage images

1. Place the Threaded Bars M6 (part 1) into a circle under 120° angle, fasten them with clamp and weld together in the central point.



2.



3.



4.



5.



Wordsearch

Cricket Players

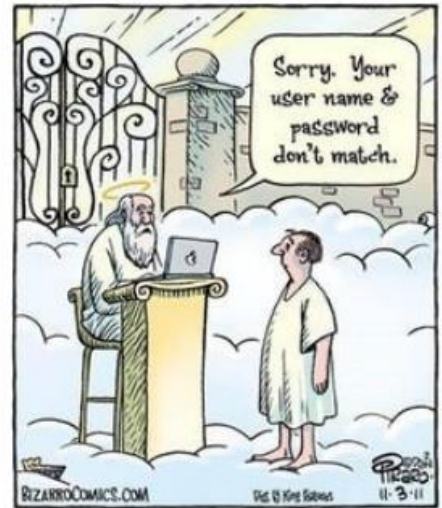
f	i	n	n	k	i	e	s	w	e	t	t	e	r
s	i	d	e	b	o	t	t	o	m	l	u	m	b
c	i	o	p	l	u	n	k	e	t	t	d	y	b
o	m	p	e	c	u	s	t	r	a	u	s	s	s
o	s	w	u	o	a	y	a	r	d	y	e	h	s
k	h	t	p	l	n	t	r	e	m	l	e	t	t
v	a	r	i	l	a	n	d	e	r	s	o	n	b
w	h	e	e	i	m	s	g	w	a	r	b	h	e
o	z	d	t	n	o	w	b	r	p	e	r	t	l
a	a	w	e	g	r	a	o	i	r	s	o	r	l
k	d	e	r	w	g	n	p	g	i	n	a	o	k
e	s	l	s	o	a	n	a	h	o	a	d	t	e
s	g	l	e	o	n	l	r	t	r	n	u	t	p
u	t	j	n	d	n	h	a	d	a	v	i	e	s

strauss	wright
cook	yardy
collingwood	anderson
lumb	broad
bell	finn
bopara	shahzad
pietersen	plunkett
morgan	tremlett
trott	sidebottom
davies	woakes
prior	tredwell
sresnan	swann
kieswetter	

Humour

I don't know how to use TikTok, but I can write in cursive, do long division and tell time on clocks with hands... so there's that.

Which weighs more, a litre of water or a litre of Butane?
Water, because butane is a lighter fluid.



ENGINEER
I'M NOT ARGUING
I'M JUST EXPLAINING
WHY I'M RIGHT

ENGINEER HOURLY RATE

£100/HR	MINIMUM
£150/HR	IF YOU WATCH
£170/HR	IF YOU HELP
£200/HR	IF YOU WORKED ON IT BEFORE CALLING ME
£250/HR	IF YOU TELL ME HOW TO DO MY JOB



ENGINEERING FACT

Nothing makes an Engineer more productive, than the "Last Minute"

ENGINEER
SOLVING PROBLEMS YOU DIDN'T KNOW YOU HAVE IN WAYS YOU CAN'T UNDERSTAND

Why does my wife always wait until I'm at the opposite end of the house before asking me to 'Merm frner mernferr brnerfer!'?



Humour

Bono and The Edge walk into a Dublin bar and the bartender says, "Oh no, not U2 again."

When I told my contractor I didn't want carpeted steps, they gave me a blank stare.

Why is it unwise to share your secrets with a clock? Well, time will tell.

Great day yesterday at the
National Coal Mining
Museum 🗣️ 😬



🤔 Why do our cars have to be roadworthy
😬 But the roads are not car worthy 😬

THEY SAY WITH AGE COMES WISDOM SO THEREFORE I DON'T HAVE WRINKLES I HAVE WISE CRACKS.



Prison is just one word to you, but for some people, it's a whole sentence.

Humour

Did you know that before crowbars were invented...

Crows mostly drank alone.

What do you say to comfort a friend who's struggling with grammar? There, their, they're.

I got over my addiction to chocolate, marshmallows, and nuts. I won't lie, it was a rocky road.

I'm trying to organize a hide and seek tournament, but good players are really hard to find.

Scientists got together to study the effects of alcohol on a person's walk, and the result was staggering.



When is it too late to have a baby shower? Cus my mom never got one when she was pregnant wit me, and I need clothes

INSTALLING BRITISH SUMMER

50% ready

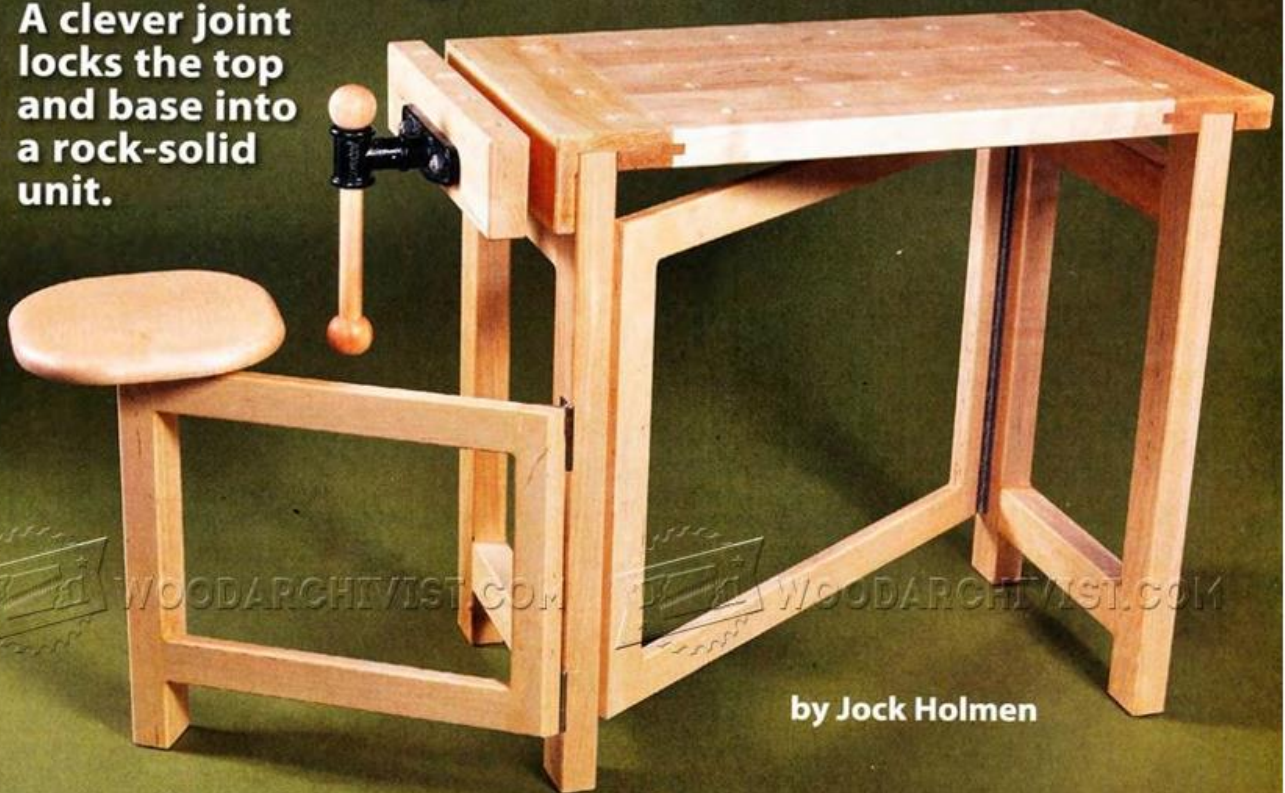


Installation failed
Error 404: Summer not found
Summer is not available in your country
Please try again

Project – Folding Workbench

Folding Bench

A clever joint locks the top and base into a rock-solid unit.



EDITOR: TOM CASPAR | PHOTOGRAPHY: JASON ZENTNER | ILLUSTRATION: FRANK ROHRBACH

WOODARCHIVIST.COM

by Jock Holmen



Sturdy construction

When set up, this bench is strong and stiff. Plus, it has a built-in seat!



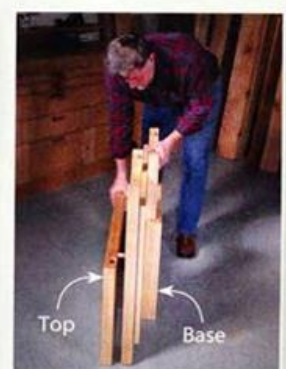
Easy to disassemble:

To store the bench, fold the seat and lift off the top.



Fold the base...

All of the base's parts are hinged together to fold flat.



Then nest the top

Taken apart, the bench is ideal for storing in a closet.

Fig. A Exploded View

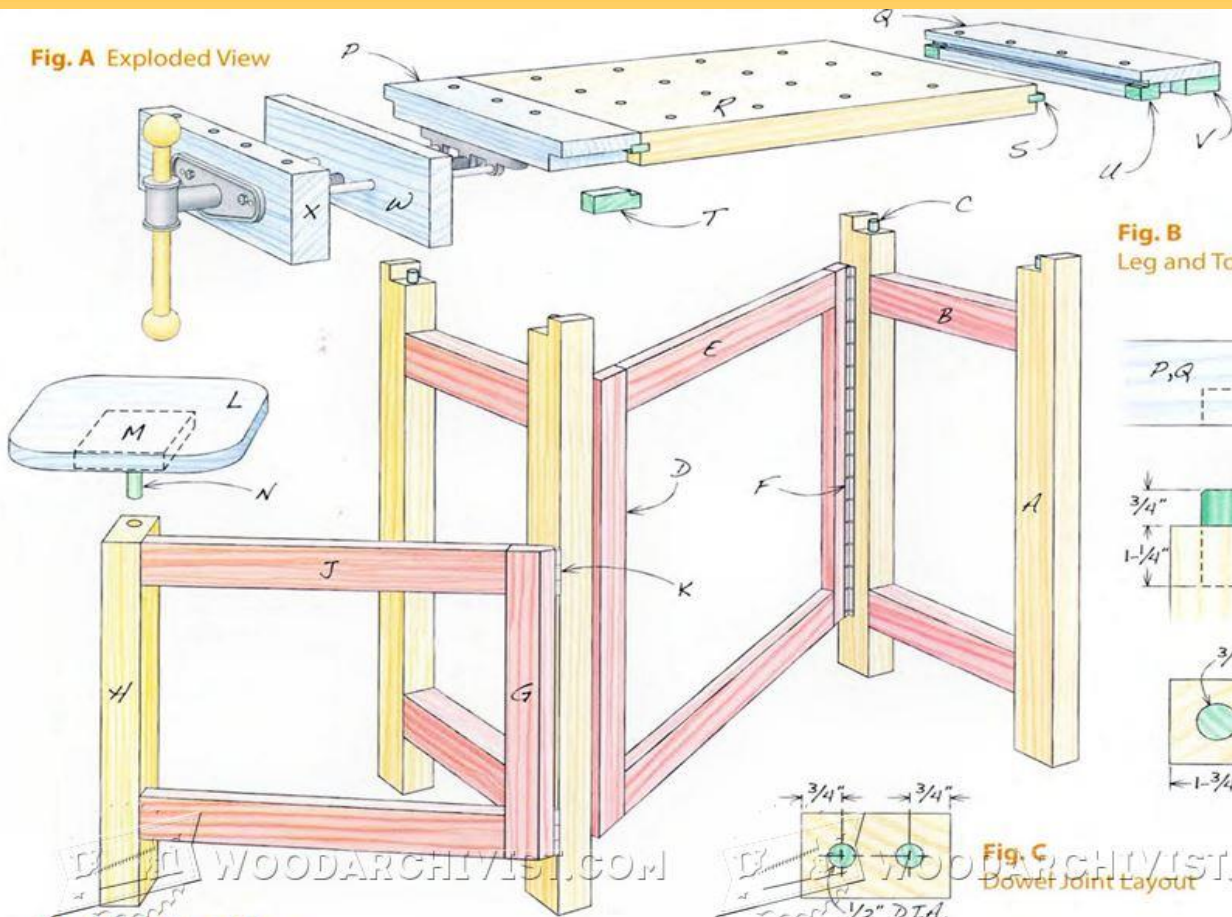


Fig. B Leg and Top Joint

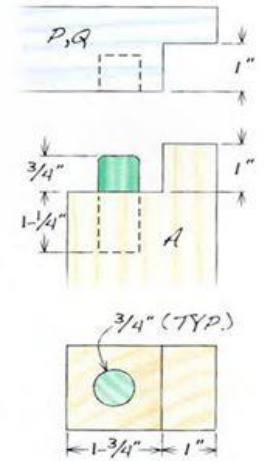


Fig. C Dowel Joint Layout

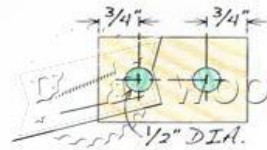


Fig. D Plan View of Base

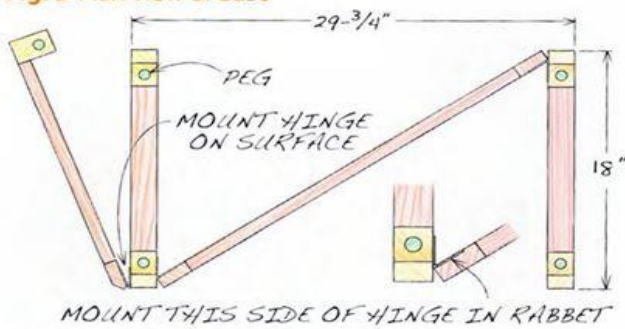
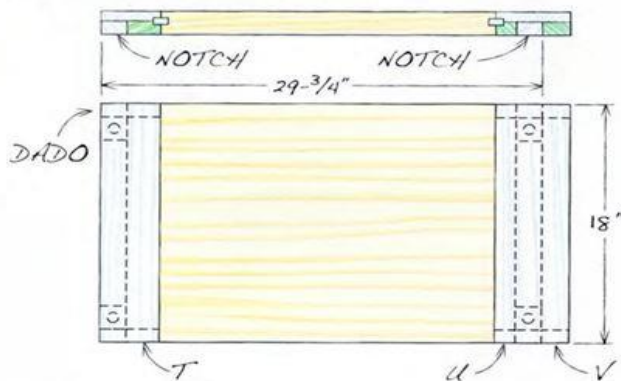


Fig. E Plan and Elevation of Top



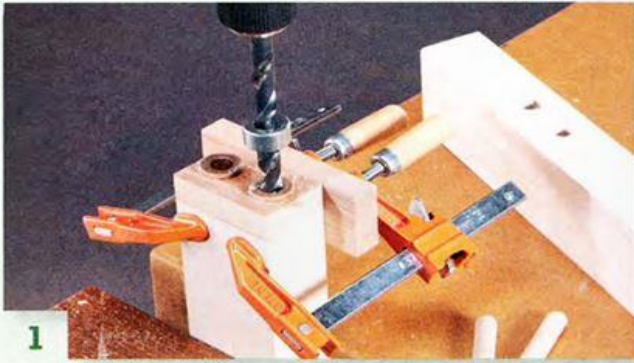
Cutting List

Overall Dimensions: 31-3/4" H x 34-1/4" W x 18" D

Section	Part	Name	Qty.	Th x W x L
End	A	Leg	4	1-3/4" x 2-3/4" x 31"
	B	Rail	4	1-3/4" x 2-3/4" x 12-1/2"
	C	Peg	4	3/4" dia. x 2"
Center frame	D	Stile	2	7/8" x 2-1/4" x 24"
	E	Rail	2	7/8" x 2-1/4" x 26-1/2"
Seat frame	F	Hinge	2	1-1/2" (open) x 24"
	G	Stile	1	7/8" x 2-1/4" x 16"
	H	Leg	1	1-3/4" x 2-3/4" x 19-3/4"
Seat	J	Rail	2	7/8" x 2-1/4" x 16-1/4"
	K	Hinge	2	3" (open) x 3"
	L	Platform	1	7/8" x 12" x 12"
Top	M	Subbase	1	7/8" x 4" x 4"
	N	Post	1	3/4" dia. x 6"
Vise	P	Breadboard end 1	1	1-3/4" x 4" x 18" (a)
	Q	Breadboard end 2	1	1-3/4" x 5" x 18"
	R	Center portion	1	1-3/4" x 18" x 22-1/2" (a, b)
	S	Spline	2	1/2" x 1" x 18"
	T	Fill block 1	2	1" x 1" x 2-1/4"
	U	Fill block 2	2	1" x 1" x 1-3/8"
	V	Fill block 3	2	1" x 1" x 1-7/8"
	W	Inner jaw	1	7/8" x 4-1/2" x 18"
	X	Outer jaw	1	1-3/4" x 4-1/2" x 18"

Notes:

a) Rough length or width is 18-1/2". b) Glue from boards 3" to 4" wide.



1

Drill the base's legs and rails for dowels. Mortise and tenon or biscuit joints would work as well.



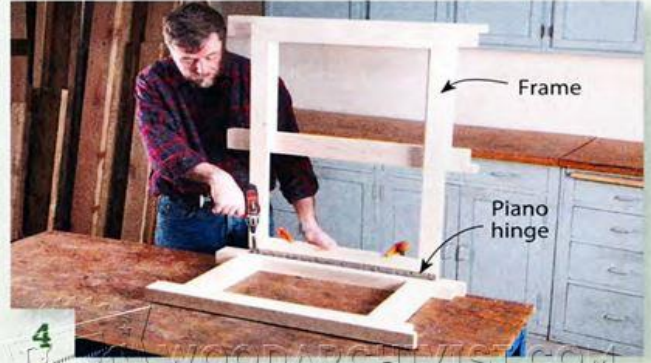
2

Notch the upper end of each leg to receive the bench's top.



3

Glue both ends of the base.



4

Connect the two ends with a rectangular frame. Fasten the frame with piano hinges.

Fig. F
End and Seat Frame

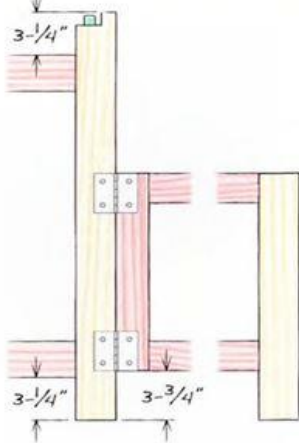


Fig. G
Center Frame

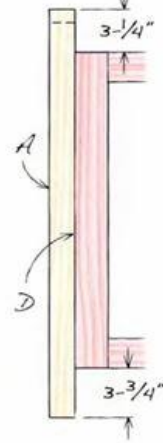
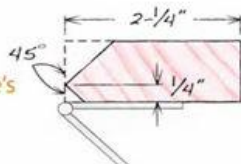


Fig. H
Seat Frame's
Stile



"HAVE CHISEL, WILL TRAVEL." As a traveling carver, teaching classes here and there, I've always wanted a bench that I could tuck into my car, carry around by hand and set up without any fuss. I wanted it to have a seat, too, so I could carve while sitting down.

This bench fits the bill in every way. It breaks down into two pieces: a top and a base. The base has an attached seat that swings around two sides of the bench, but it takes a little getting used to: The seat has only one leg. The seat won't tip over, of course, but I have to use my feet for balance. Carvers are used to that.

I'm sure that this bench would be suitable for all kinds of work. You can mount any type of vise on the bench's end—or none at all.

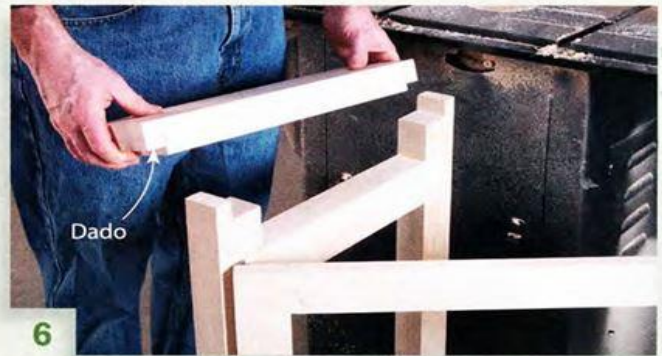
Make the base

I built the entire bench from soft maple, for durability. It's best to make the base first, then size and fit the top to match the base. Begin by milling the base's legs (A) and rails (B). Cut these pieces to final length, then mark the positions of the rails on the legs (Fig. F). Drill holes for 1/2" dowels (Photo 1; Fig. C—see "2 Dowelling Jigs," page 36.) Of course, dowels are just one of many options for joining the base. Mortise and tenon joints, or pairs of #20 biscuits, would work as well.

Using a dado set, cut notches in the top ends of the legs (Photo 2; Fig. B). Remove the wood in stages, cutting the same amount from each leg in turn. Glue dowels in the rails, then glue



5 Mark the distance between the leg notches on one of the top's breadboard ends.



6 Cut dados up to the marks in both breadboard ends. Test the fit of these pieces—they should fit snug in the notches.



7 Rout a groove in each breadboard end to receive a spline. Glue the main part of the top together and rout similar grooves across both ends.



8 Glue the breadboard ends to the top. Use an extra clamp to make sure that the ends are flush, side-to-side, with the top.

the legs and rails together, forming the two ends of the base (**Photo 3**).

Make stiles (D) and rails (E) for the frame connecting the ends. Drill holes for 3/8" dowels and glue the frame together. Cut a 48" long piano hinge into two pieces (F), then cut rabbets in the frame's stiles to receive the hinges. Note that the rabbets go on opposite sides of the frame (Fig. D). Fasten the hinges to the stiles, then fasten the frame to the bench's ends (**Photo 4**, Fig. G). Opened at 90°, the frame should be flush with each end.

While you're set up for dowelling, build the seat frame (G, H, J). Note that the frame's stile must be angled in order for the seat to swing around both sides of the bench (Fig. H). Build the seat, too (L, M, N). If you want to occasionally raise the seat for working on thick stock, make some plywood rings to fit under the seat's subbase.

Make the top

It's best to make the top the exact width of the base (Figs. D and E). The top's length isn't as critical—but measure the length of your base before you begin making the top. (To do this, open the base to form a rectangle, then measure from corner to corner, both ways. When these diagonal distances are equal, the base is square and ready for measuring its length.) If your base

is too long or too short, no problem: Just adjust the length of the center portion (R) to suit (Fig. E).

Mill pieces for both breadboard ends (P, Q) and the top's center portion. Glue the center portion from pieces that are 1" extra-long and about 2" or 3" wide. (Narrow pieces will help the top stay flat.) Use biscuits or spline to align them. Make the entire center portion at least 1/2" extra-wide, too.

Trim the breadboard ends so they're the same length as the base is wide. Place one of these pieces on top of the base and mark the locations of both of the leg notches (**Photo 5**). Cut dados in both breadboard ends to fit these notches (**Photo 6**; Fig. B). Cut all four dados at the same time. Use a stop block and start out a bit narrow, so the breadboard ends don't quite fit between the legs. Gradually move the stop block, again cutting all four dados, until the breadboard ends fit snugly between the legs.

Rip the center portion of the top so its width is the same as the length of the breadboard ends. Trim the center portion to length. Rout a 1/2" x 1/2" groove in the middle of each breadboard end and matching grooves in the top's center portion (**Photo 7**). Clamp a scrap block to the far side of the center portion to prevent blowout. Make spline (S) to fit the groove. Glue the breadboard ends to the center portion, one at a time (**Photo 8**). Even up the joints with a sander or a plane.

Contributor note - I like the idea of using folding wood furniture, as a way to maximize the space you have to work with. This bench was designed to go in the back of a car. So, very compact. It was designed with a seat. I prefer to do most of my woodworking standing up. I am however sure removing the seat will be easy. Also I am 6 foot, so maybe I would make the Bench a little higher. But still I like how easy it is to disassemble and reassemble this design. Also it's good that it's very stiff and stable when fully assembled.

Answers to Puzzles

Solution for Crossword #10



DINGBATS no. 8 answers

- | | | | |
|----|--------------------------------------|----|--------------------------|
| 1 | HUNT HIGH AND LOW | 13 | TO EXCESS |
| 2 | GOOD LOOKING | 14 | A SLICE OF THE ACTION |
| 3 | FOREGONE CONCLUSION | 15 | BORED SILLY |
| 4 | THINK BEFORE YOU SPEAK | 16 | GO DOWN IN HISTORY |
| 5 | GREEN MILE | 17 | BLACK COMEDY |
| 6 | HAVE IT BOTH WAYS | 18 | BACKGROUND CHECK |
| 7 | BEAUTY IS IN THE EYE OF THE BEHOLDER | 19 | BACK TO BASICS |
| 8 | MATCH MADE IN HEAVEN | 20 | TO INFINITY AND BEYOND |
| 9 | SPREAD TOO THIN | 21 | CURL UP WITH A GOOD BOOK |
| 10 | HOLY WATER | 22 | A FOOT IN BOTH CAMPS |
| 11 | WATERSHIP DOWN | 23 | PARTING THE RED SEA |
| 12 | ODDS ON FAVOURITE | 24 | FROM ZERO TO HERO |

Sudoku 37 Solution

2	7	4	1	5	3	8	9	6
3	6	1	7	8	9	4	5	2
5	9	8	2	6	4	7	1	3
4	5	7	3	1	8	6	2	9
8	3	9	5	2	6	1	4	7
1	2	6	4	9	7	5	3	8
6	8	3	9	4	1	2	7	5
7	4	2	8	3	5	9	6	1
9	1	5	6	7	2	3	8	4

Sudoku 38 Solution

1	8	4	9	3	5	2	7	6
3	2	5	7	4	6	1	9	8
6	9	7	1	8	2	4	3	5
4	5	2	3	9	8	6	1	7
9	3	6	2	1	7	5	8	4
7	1	8	6	5	4	9	2	3
8	7	9	5	6	1	3	4	2
5	4	3	8	2	9	7	6	1
2	6	1	4	7	3	8	5	9

Sudoku 39 Solution

6	1	3	7	9	8	2	4	5
9	5	8	3	2	4	6	7	1
4	7	2	6	5	1	9	3	8
8	3	6	1	7	2	5	9	4
2	9	5	4	6	3	1	8	7
7	4	1	9	8	5	3	2	6
5	8	9	2	1	7	4	6	3
3	6	7	5	4	9	8	1	2
1	2	4	8	3	6	7	5	9

Sudoku 40 Solution

1	2	5	3	9	7	6	8	4
8	4	7	5	1	6	2	9	3
3	9	6	2	4	8	7	1	5
6	7	3	4	5	1	9	2	8
4	5	1	9	8	2	3	7	6
9	8	2	7	6	3	4	5	1
5	6	9	1	7	4	8	3	2
7	3	4	8	2	5	1	6	9
2	1	8	6	3	9	5	4	7

Wordsearch Answers

Cricket Players

f	i	n	n	k	i	e	s	w	e	t	t	e	r
s	i	d	e	b	o	t	t	o	m	l	u	m	b
c	i	o	p	l	u	n	k	e	t	t	d	y	b
o	m	p	e	c	u	s	t	r	a	u	s	s	s
o	s	w	u	a	y	a	r	d	y	e	h	s	
k	h	t	p	l	n	t	r	e	m	l	e	t	t
v	a	r	i	l	a	n	d	e	r	s	o	n	b
w	h	e	e	i	m	s	g	w	a	r	b	h	e
o	z	d	t	n	o	w	b	r	p	e	r	t	l
a	a	w	e	g	r	a	o	i	r	s	o	r	l
k	d	e	r	w	g	n	p	g	i	n	a	o	k
e	s	l	s	o	a	n	a	h	o	a	d	t	e
s	g	l	e	o	n	l	r	t	r	n	u	t	p
u	t	j	n	d	n	h	a	d	a	v	i	e	s