

Read 'awl' about it

The **Not So** Lockdown Newsletter from

The Cannock Chase Shed



Issue No. 33

Submissions and suggestions to Bob Mason at:

shednewsletter@virginmedia.com

week ending Sat 26th June 2021

In This Issue....

- Shed News
- Meet the Committee
- Notices
- Crossword No 11
- Spot the Difference
- Project - Circular Rotating Bookcase
- Dingbats No 8 (sorry missed puzzle last issue)
- Sudoku 41 – 44 (did you see mistake last time)
- Wordsearch - Championship
- Humour
- Latest Scams
- Project – Outdoor Cart
- Answers to Puzzles

(Just checking to see who actually reads it)

Shed News

Shed Zoom Meetings Cancelled due to re-opening plans already in hand

enquiries@cannockchaseshed.org.uk goes directly to all Committee Members to answer as necessary should anyone wish to give information or make any comment.

Check our webpage...

...for information about our Shed, updates about reopening and back issues of the newsletter.

<https://cannockchaseshed.org.uk/>

We are on Facebook...

Remember we have a Facebook page, where you can chat with friends, exchange ideas or ask for advice, as well as sharing your projects.

If you are having trouble finding the bits you need for your project, why not post a request? Another member may have just what you're looking for sitting unused in their garage, or they may know where you can get one.

If you have useful items that you are loath to throw away, why not put up a post, offering them to other members, before consigning them to the tip?

Official Facebook page: Private Group

<https://www.facebook.com/groups/cannockchaseshedders>

Meet the Committee

Dave Shaw	Chairman
Leslie Jukes	Deputy chairman
Barry James	Health & Safety
Avril Green	Fundraising/Secretary
Graham Johnson	Treasurer
Tim Cutler	Project Manager

Shed Media

Peter Ross	Website/Facebook Group
Bob Mason	Newsletter

Could you...



- Sort through your photos and send me a picture and a few words? – your pet, garden, favourite holiday, your most useful tool, a current or past project, a cooking success (or disaster) or favourite recipe? – Pretty much anything you like.
- send me a suggestion of something you'd like to see included in the newsletter? – anything from just a broad idea, to a finished article.
- send in a 'reader's letter'? Share an anecdote or treasured memory? Share your expertise with those who have less experience?
- Send in something else, or help in another way that I haven't even mentioned?

Or if your shy pass it to one of the committee!!!

Notices

Can any member wishing to book a session either on Monday morning or Monday afternoon on the 28th of June please phone me on 07964851114.

The hours for the morning are 9-30am to 12-30pm and the afternoon is 1-00pm to 4-00pm.

Also, a reminder that to book a session you will need to have had both covid vaccine jabs or if you haven't had the jabs you will need to take a lateral flow test at least 12 hours before coming to the Shed.

I understand that most members prefer mornings because of other commitments in the afternoon but as we are now paying £15 a day could some members please try and book an afternoon, it would also spread out the amount of members in any one session. We will also need a supervisor for each session so if any member who is present at one of the sessions can do that it would be much appreciated.

Cleaning, washing up, tidying etc: needs to be started at least 15mins before the end of each session and maybe a little earlier in the afternoon as the keys have to be returned to the museum for 4-15pm.

Lastly, due to Government restrictions being extended until July 19th social distancing and wearing masks inside the Shed will still be required. If you don't have a mask with you, one can be supplied.

If anyone has changed their phone number or email address since first joining the Shed can they please send the new details to Graham at enquiries@cannockchaseshed.org.uk so he can update his records.

Diary Dates: **3rd August** – 10:30 Shed AGM (Provisional)

CCShed Membership status:

Extended Membership ends this month (June) and Annual Fees will again be due on 1st July 2021. Reduced this year to £17.50. Please pay Treasurer Graham direct by cash, cheque made out to Cannock Chase Shed or, direct debit giving your name and 'Fees' as Ref if there's room. Cannock Chase Shed. Sort Code 30 96 26 Account Number 47466468.

Our Dave Shaw was given a Commendation at the Support Staffordshire Volunteer Star Awards Cannock Chase & South Staffordshire on Tuesday 15th June 2021. It was his leadership of the Cannock Chase Shed Community Group for help and support of those over 65 years.

WELL DONE

Crossword #11

Across

1. Make an impression?
5. Diamond Head's home
9. Dog who played Eddie on "Frasier"
14. White as a ghost
15. Privy to
16. Garment worn by Flo and Alice
17. Like some tea
18. Talk like Daffy
19. Argue against
20. Pooch from Wales
22. Fix, at the vet's
24. Greet the day
25. Lady's man
27. Thirst quencher
29. ___ Day
31. Solidly built

33. Cold War competition
35. Full of back talk
39. _____ of limitations
40. Nutrition label unit
42. Church council
43. Wearing black, maybe
44. Trustworthy
47. Relax, slangily
48. Kind of wheel
51. Spreadsheet filler
53. Orchard fruit
54. Leaves home?
56. "Same here!"
59. Fort Knox bar
61. Edit menu option
63. Like Jack Sprat's diet

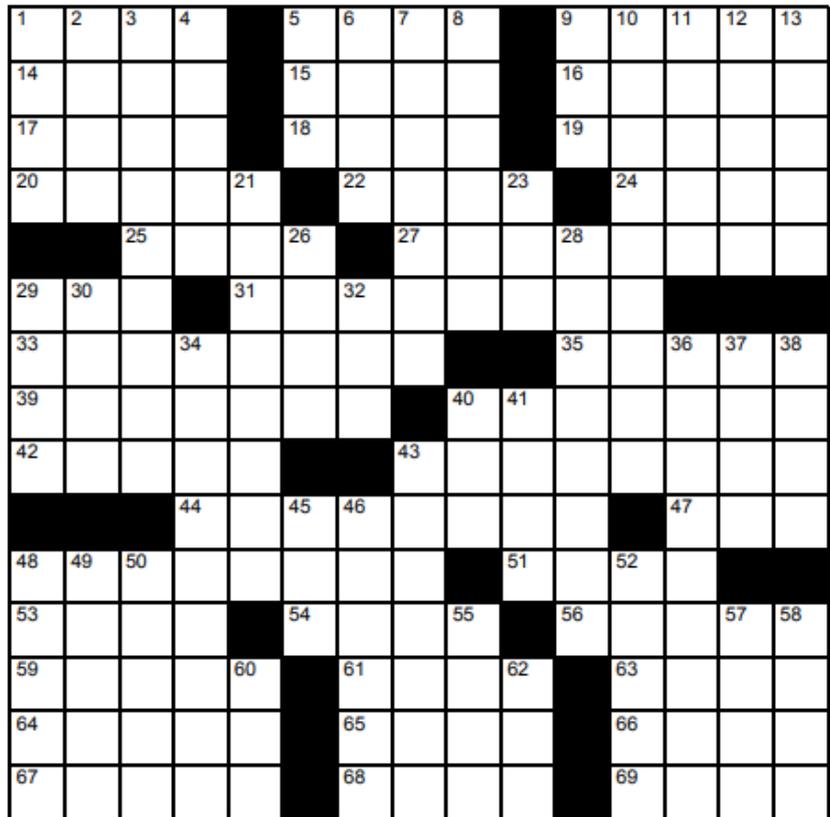
64. Do a salon job
65. Ruckus
66. Fender flaw
67. Public figure?
68. Can't stand
69. Conclusion starter

Down

1. Kind of proportions
2. Mexican fare
3. Religious leader
4. Beat around the bush
5. Painter's medium
6. Spanish cordial
7. Home for the sick
8. Post-vacation task
9. Damage

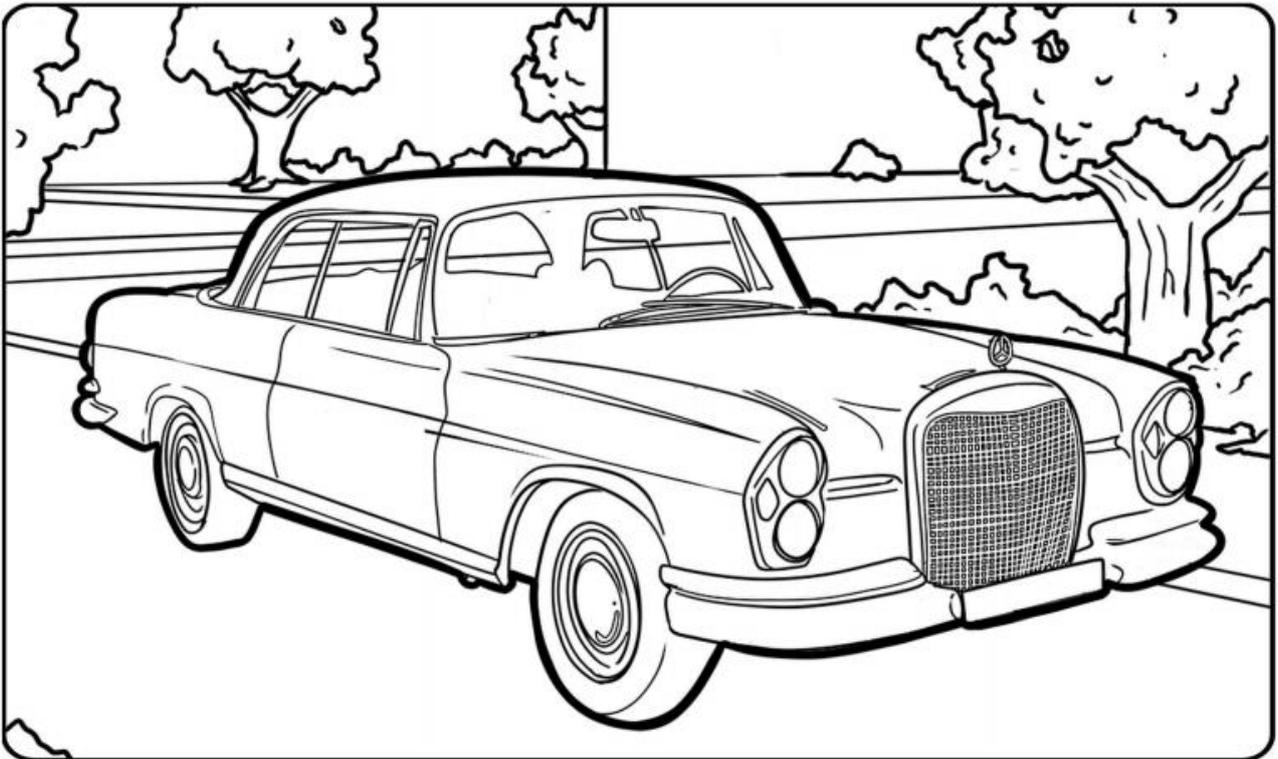
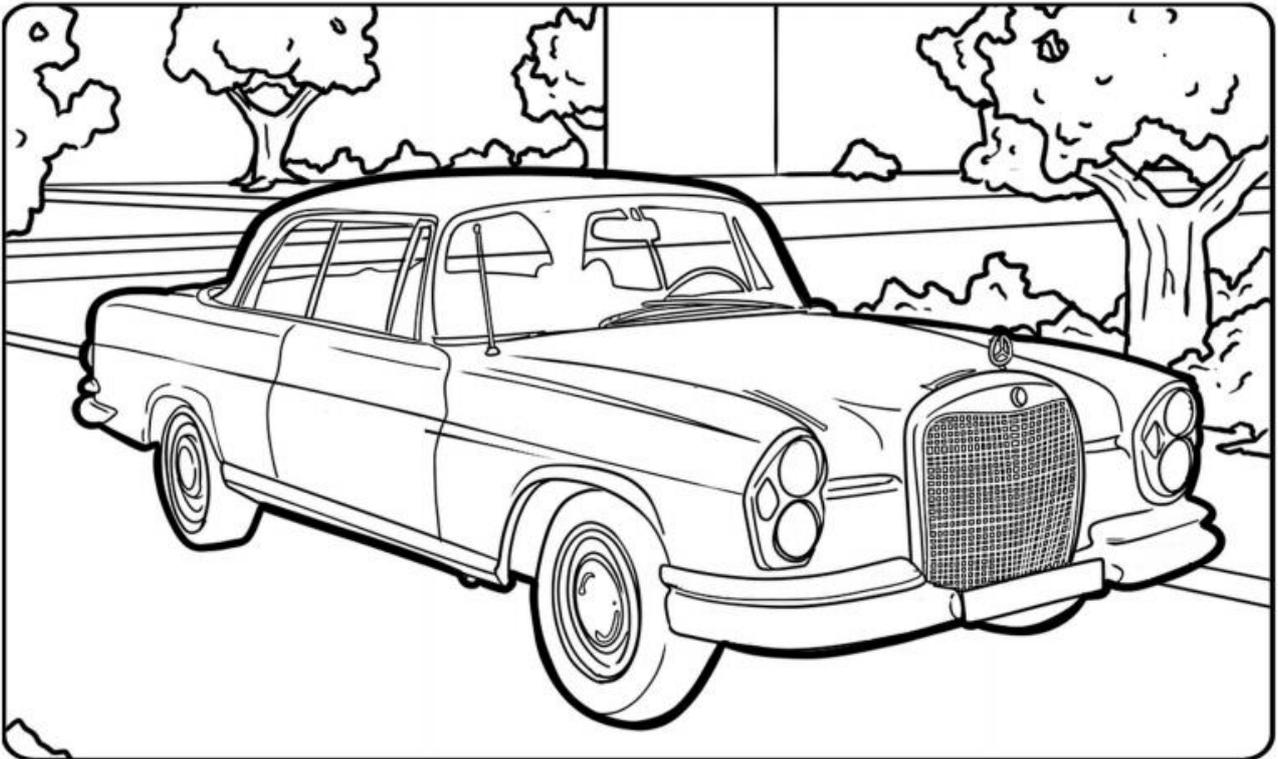
10. Game with a character named "Cavity Sam"
11. Elliptical path
12. Lush
13. Stage direction
21. Unwelcome visitor
23. Welcome word at a proposal
26. "___ does it!"
28. Educated
29. Physics calculation
30. Pretentious, perhaps
32. Cooler contents
34. Place for supplies
36. Armed ship of old
37. Lodgepole, for one
38. Burglar

40. Corn holder
41. New Year's word
43. Ink cartridge color
45. Beyond tipsy
46. Arrival en masse
48. Nutmeg, e.g.
49. Mortise's mate
50. Colonel's insignia
52. Diacritic mark
55. Cut and paste
57. Zingy taste
58. Not duped by
60. Take a stab at
62. Kind of deposit



SPOT THE DIFFERENCE

Can you spot the 10 differences between these two pictures?



Free printable courtesy of PrintitFree.net

SPOT THE DIFFERENCE

Can you spot the 10 differences between these two pictures?



Project - Circular Rotating Bookcase

Circular Rotating Bookcase Plans

The material list for this project is simple: 2.5 sheets of 5/8"-thick medium-density fibreboard (MDF). If they cut where you buy it, have it cut into 2' x 2' or 4' x 2' pieces.

Circles

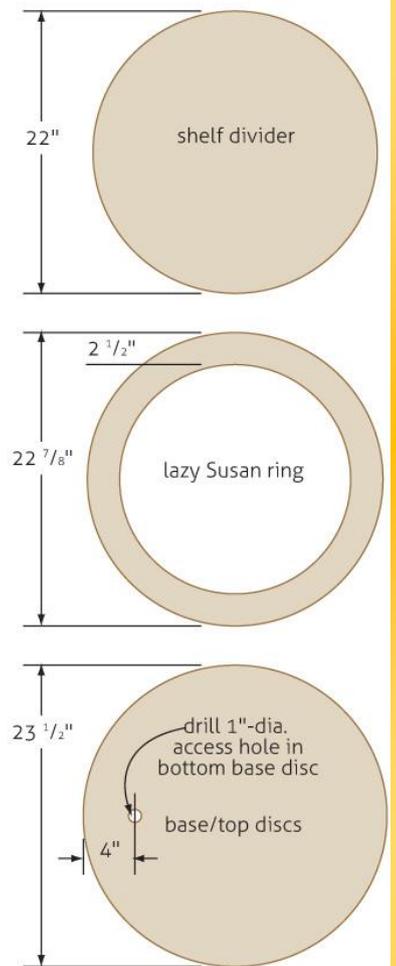
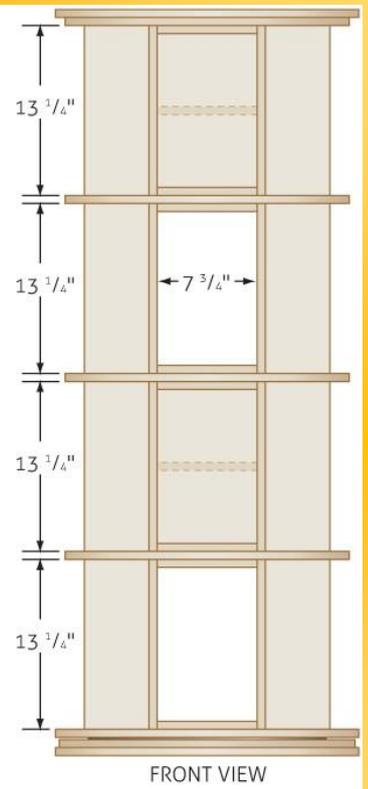
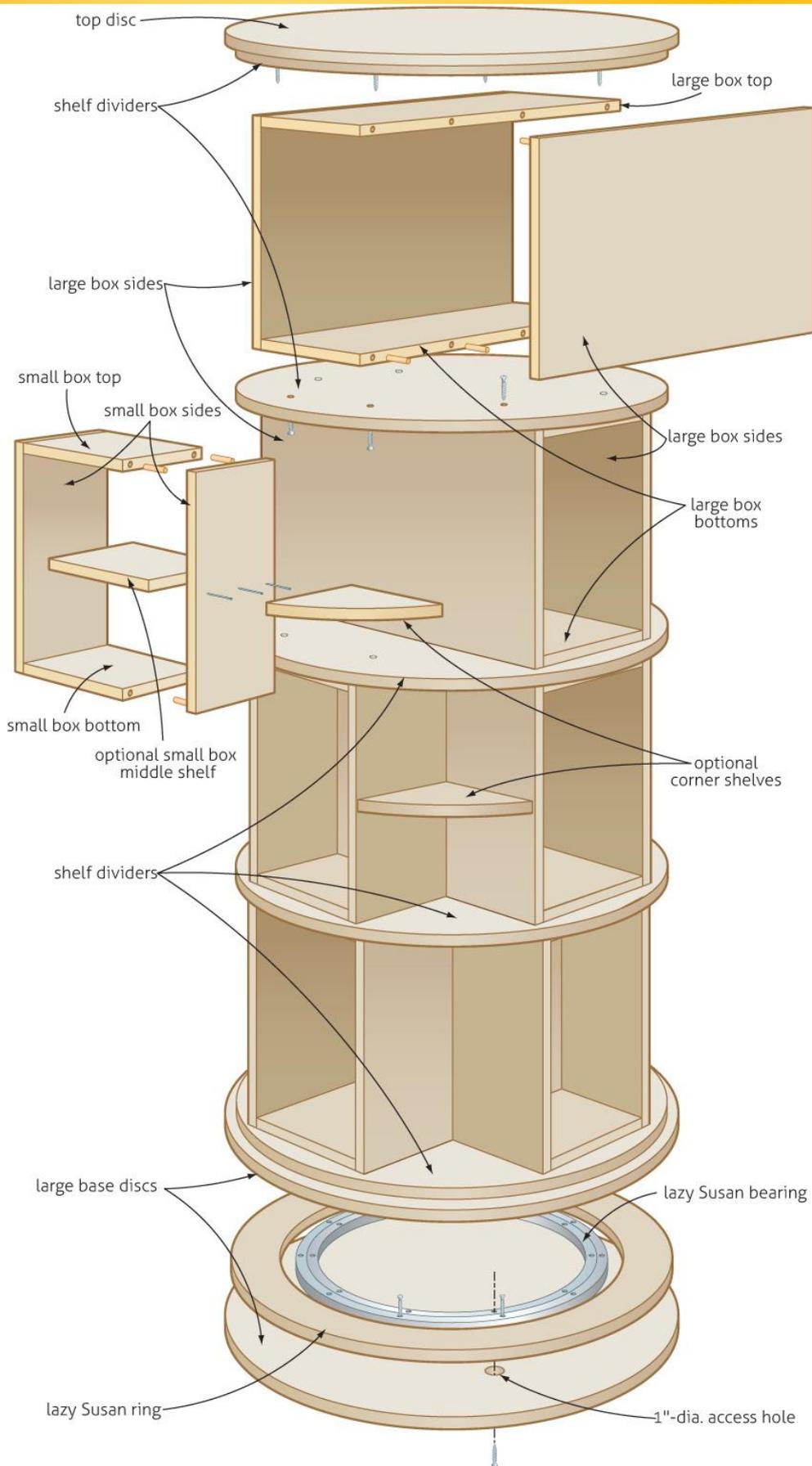
To do the circles, I used a shop made jig mounted on the bandsaw. You will need nine circles. First I cut 3 23 1/2"-diameter circles for the base and top. Next cut 5 circles at 22" for the dividers. Then cut 1 circle at 22 7/8". Then draw another circle inside it 2 1/2" smaller. Cut it out leaving a doughnut-shaped ring. This ring is where the lazy Susan's bearing go. Round the edges with a 5/16"-radius bearing-guided round over bit (excluding the ring).

Large Boxes

Cut 8 pieces measuring 13 1/4" x 19" and another eight measuring 7 3/4" x 19". Use those pieces to build four four-sided boxes measuring 9" x 13 1/4" x 19".

Small Boxes

Cut 16 pieces measuring 5" x 7 3/4" for the tops and bottoms, and 16 more measuring 5" x 13 1/4" for the sides.



DINGBATS no. 8

HUNT

1

HUNT

GOOD

2

GONE
GONE
GONE
GONE
END

3

KU SPEAK

4

5,280 ft

5

HAVEIT
TIEVAH

6

HIVE

7



8

SPREAD2

9

WATER

10

H₂O
E
2

11

13579
FAVOURITE

12

XS XS

13

~~ACTION~~

14



15

HISTORY

16

BLACK,D

17

DNUORG ✓

18

SBAY6

19

∞ ∞

B Y
D

20

BIBLE
RUC

21

CAFOOTMP
CAFOOTMP

22

S EA

23

0 → HERO

24

Sudoku 41

		3		9				1
	4		1			8		
8	2			7				
		2		5	6			7
				2	7		1	
		8			5			
1		6			2			9
	3			8		7		2

Sudoku 42

7		6		4				5
							4	2
3				2				6
5	8				3			
		4			1			
	2			8	5		6	4
2								
						7		8
	6	9		3				

Sudoku 43

7			5	8			6	
				7		5		8
			4					
6			1			4		2
	4	8				3		
								7
5	3				1			9
				4	7			
8	7	4	9	5				6

Sudoku 44

	3			6				7
7		8	1	4		9		
	1			9		5		
2		3	7			8		
	6		9					3
		1		8		6		
	9			7				
3		6	4					2
					9		5	8

Wordsearch

Championship

n	t	x	b	g	s	h	e	f	f	i	e	l	d	t	u	n	i	t	e	d
e	f	l	b	k	l	h	c	r	y	s	t	a	l	z	p	a	l	a	c	e
t	d			y	t	n	u	o	c	q	y	b	r	e	d	v			n	n
z	j			n	y	t	i	c	z	h	c	i	w	r	o	n			s	n
l	e	i	c	e	s	t	e	r	w	c	i	t	y	k	d	i	z	y	c	s
n	w	s	f	h	u	l	p	c	i	t	y	l	e	n	q	c	d	u	c	
t	t	y	e	l	s	n	r	a	b	a	j	x	p	b	e	c	u	p	n	v
o	n	n	o	t	t	i	n	g	h	a	m	u	f	o	r	e	s	t	t	b
t	g	r	m	d	b	p	b						s	q	h	b	p	h	h	x
i	h	g	u	o	r	b	s	e	l	d	d	i	m	o	t	j	z	t	o	h
l	z	a	c	u	n	k	r	i	v	i	p	g	g	a	r	g	e	u	r	y
e	g	p	f	o	i	i	p	s	w	i	c	h	r	t	o	w	n	o	p	t
e	l	s	r	e	v	o	r	k	r	e	t	s	a	c	n	o	d	m	e	i
d	g	n	i	d	a	e	r						e	b	f	u	e	s	o	c
s	n	v	f	d	s	b	y	e	l	n	r	u	b	b	n	j	x	t	u	r
a	y	t	i	c	f	f	f	i	d	r	a	c	p	u	o	i	p	r	n	a
u	h	p	t	c	c	w	a	t	f	o	r	d	z	w	t	l	r	o	i	e
n	y	t	i	c	f	l	o	t	s	i	r	b	y	z	s	z	r	p	t	s
i	l			n	u	p	a	c	k	m	i	x	d	t	e	l			e	n
t	a			f	h	b	d	r	p	q	z	n	n	o	r	f			d	a
e	z	l	l	a	w	l	l	i	m	h	m	m	j	v	p	f	t	m	u	w
d	g	w	h	h	j	y	t	i	c	z	y	r	t	n	e	v	o	c	s	s

barnsley
 bristol city
 burnley
 cardiff city
 coventry city
 crystal palace
 derby county
 doncaster rovers
 hull city
 ipswich town
 leeds united
 leicester city

middlesbrough
 millwall
 norwich city
 nottingham forest
 portsmouth
 preston north end
 qpr
 reading
 scunthorpe united
 sheffield united
 swansea city
 watford

Humour

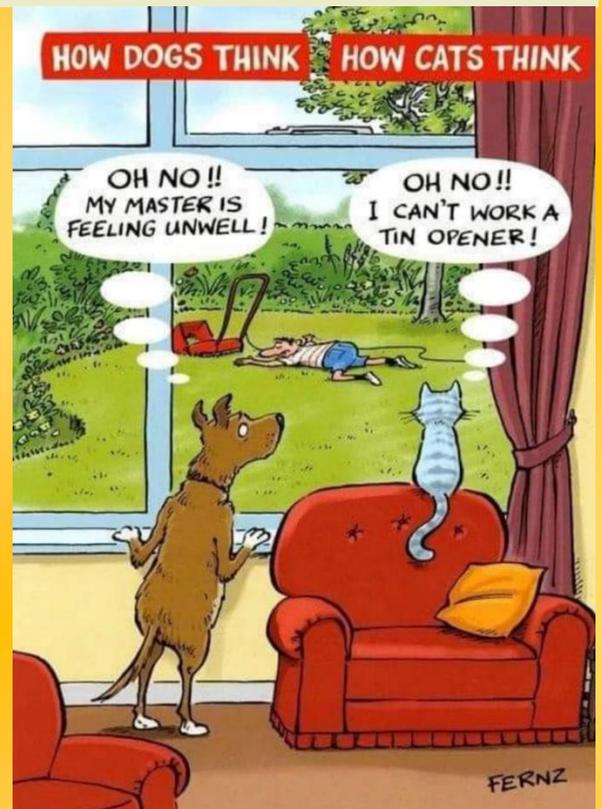
What did the surgeon say to the patient who insisted on closing up their own incision? Suture self.

I've started telling everyone about the benefits of eating dried grapes. It's all about raisin awareness.

I went to the toy store and asked the assistant where the Schwarzenegger dolls are and he replied, "Aisle B, back."



I'm not a perfect friend.
I can make mistakes
anytime.
Therefore, I love those
people who still stay with
me after knowing my
real personality.



Bought a barbecue in Lidl for a Euro!

KARMA
The joy of watching
someone get what
they deserve!

PROFESSIONALISM

The ability to sit
back and enjoy the
show and keep your
mouth shut!



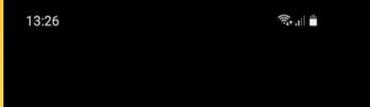
Humour



I LOOK BACK ON MY LIFE AND I'M EXTREMELY IMPRESSED THAT I'M STILL ALIVE.



When my grandfather became ill, my grandmother greased his back. After that, he went downhill very quickly.




A new teacher was trying to make use of her psychology courses. She started her class by saying, 'Everyone who thinks they're stupid, stand up!' After a few seconds, Little Larry stood up. The teacher said, 'Do you think you're stupid, Larry?' 'No, ma'am, but I hate to see you standing there all by yourself!'

SOMEONE CALL GAV FROM AUTO-GLASS



THERE IS A CRACK IN THE WINDOW 😂😂

Afraid of not getting what you ordered with online shopping? Try online dating!



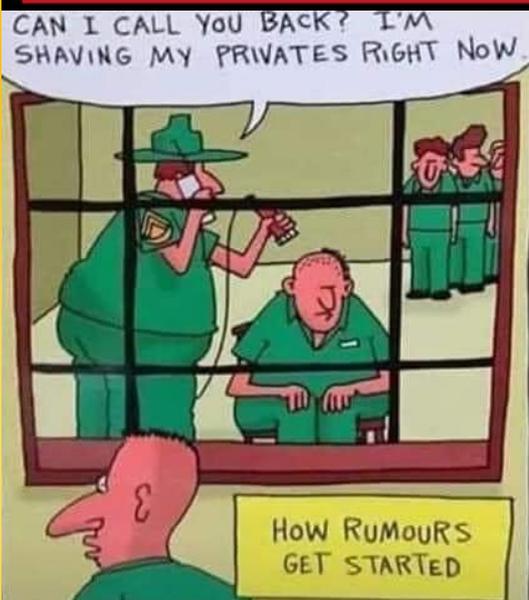
Humour

....a double scotch on the rocks?



My son is taking part in a social experiment. He has to wear a "GO VEGAN" t-shirt for 2 weeks and see how people react. So far he's been spit on, punched and had a bottle thrown at him! I'm curious to see what happens when he goes outside.

I need that kinda coffee that's so strong when I take a sip, my ancestors wake up



Humour

**Latest travel update
We can only visit
countries who voted
for us in The
Eurovision Song
Contest**

The school phoned me today and said, "Your son's been telling lies." I replied, "Well, tell him he's very good - As I haven't got any kids!"

As things slowly return to normal I recommend that you shave off your Beards & Mustaches.

Also feel free to ask your husbands and boyfriends to do the same!



**DON'T WORRY ABOUT
GETTING OLDER.
YOU STILL GET TO DO
STUPID THINGS,
ONLY SLOWER.**



**A man asked me
for a dollar. I told
him I only carry big
bills. He said give
me one of those.
I gave him my
electric bill.**

Someone sent me an email about using vodka for cleaning the house.

It worked.
The more vodka
I drank the cleaner the
house looked.



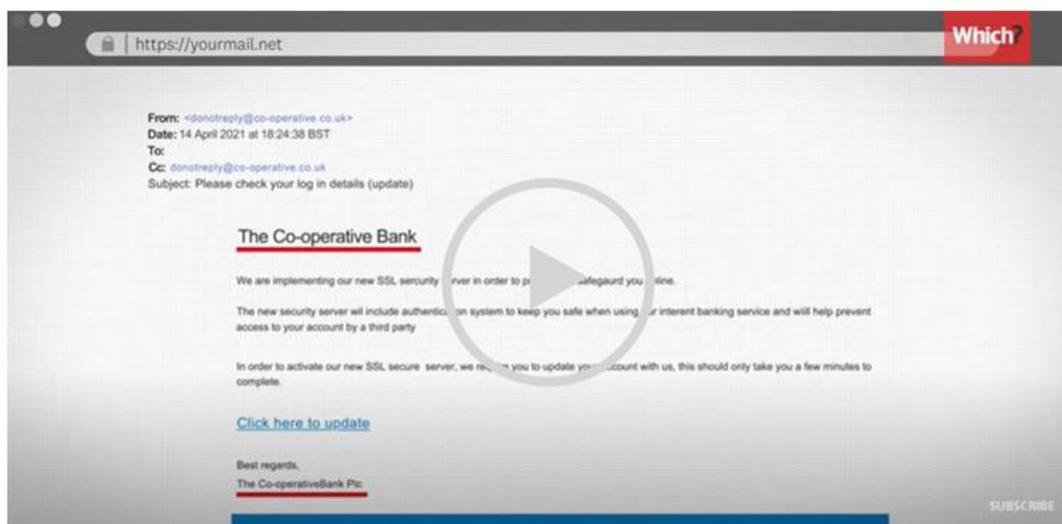
Latest Scams

Marcus by Goldman Sachs clone site

A very convincing clone site of Marcus by Goldman Sachs has recently been taken down. It's one of many cloned financial websites the Financial Conduct Authority (FCA) has issued warnings on this year – having already issued 721 specific warnings so far in 2021.

We show [how similar the clone site was to the real thing](#), what to do if you think you were taken in by the scam and how to keep safe from other clone site fraud.

Financial scams on the rise



The Co-operative Bank phishing email

We show a real scam email pretending to be from The Co-operative Bank that's doing the rounds at the moment. The most dangerous fakes can even replicate the sender email address so the message appears to come from a trusted source such as a bank or government domain.

In this video, we reveal all the [telltale signs](#) to spot fake emails and how to avoid being scammed.

Recognising scam emails

Fake Hermes parcel delivery texts

Scam texts claiming to be from delivery company Hermes have been circulating for a long time, but recently the scammers behind them have been trying to make their attempts to con you even more convincing by luring you into a bank transfer scam.

We show you various [examples of the texts](#) and explain how fraudsters have been changing their tactics to try and catch you out.

How the scam is evolving

Project – Outdoor Cart



WOODWORKS: INTERMEDIATE PROJECT 2011-2012 MULTIPURPOSE OUTDOOR CART



Want to surprise someone with an unexpected summertime gift? This multipurpose outdoor cart may be the ultimate patio accessory: a sturdy, good-looking way to ferry food and drink to guests or to use as a planter for fresh herbs and flowers. Perfect for intermediate woodworkers, it's rather easy to build and inexpensive, too. Being made of economical pressure-treated pine means it will withstand years of outdoor exposure. Build this cart and you'll gain experience in basic ripping, crosscutting and careful detailing and assembly, as well as learning more about applying and using finishes to protect the wood and keep it looking beautiful.

TOOLS REQUIRED

Hand Tools

- Sanding block
- Pipe or bar clamps, C-clamp
- Adjustable square

Power Tools

- Table saw
- Miter saw
- Jigsaw
- Drill
- Drill press
- Router with 1/4" round-over bit
- Orbital or finish sander
- 7/8" Forstner bit

Miscellaneous

- Tape measure
- Pencil
- Exterior wood glue
- Safety glasses
- 120-grit sandpaper
- Respirator
- Gloves for finishing
- Mineral spirits, for cleanup of oil-based finishes

* Depending on your preferred method of application, you will need a brush, paint pad, roller, garden "pump-up" style sprayer, or compression driven sprayer

SHOPPING LIST

Recommended Wood: Pressure Treated Pine

Part	Material	Quantity
A, B, C, D, E, G	1 x 4" pressure-treated pine	1 @ 12', 2 @ 8'
E	1 x 6" pressure-treated pine	1 @ 14'
H	copper pipe	3/4" x 24"
I	wood dowel	3/4" x 36"
Exterior wood screws	#8 x 1-5/8"	144
Dowels	1/4" x 1-1/2"	2
Carriage bolts, flat washers, nuts	1/4" x 20" x 2"	16

CUTTING LIST

Overall Dimensions: 19-1/2" x 31" x 33"			
Part	Name	Qty	Th. x W x L
A	Upper frame cross pc	2	3/4" x 3-1/4" x 18"
B	Upper frame arms	2	3/4" x 3-1/4" x 31"
C	Lower frame cross pc	2	3/4" x 3-1/4" x 18"
D	Lower frame long pc	2	3/4" x 3-1/4" x 23"
E	Frame slats	14	3/4" x 2-1/2" x 23"
F	Rear legs	2	3/4" x 3-1/4" x 33"
G	Front legs	2	3/4" x 3-1/4" x 32"
H	Handle bar	1	3/4" x 18-3/4" copper pipe
I	Wheel axle	1	3/4" x 24-1/2" wood dowel
J	Wheel	2	3/4" x 5" diameter

WOOD FINISHING PRODUCTS

Recommended Finish

Stain: Thompson's® WaterSeal® Deck & House Oil
Waterproofing Stain, Sierra Brown Semi-Transparent

Alternate Finish

Waterproofer – Thompson's® WaterSeal® Waterproofer
Plus Tinted Wood Protector, Honey Gold

BEFORE YOU BEGIN

Good craftsmanship begins and ends with good work habits, so make the following steps part of your routine workshop practice. If you have any doubts or questions about how to proceed with a project, always discuss them with your shop instructor.

- Carefully and fully review plans and instructions before putting a tool to the project lumber.
- Work sensibly and safely. Wear safety goggles when doing work that creates flying chips and sawdust; wear the appropriate respirator whenever making sawdust or working with thinners or other solvents.
- At the end of every work session, clean up your shop area and put away all portable tools.

CUTTING AND ASSEMBLY PROCEDURE

1. Crosscut the upper and lower frame parts to rough length. Rip the frame pieces to finished width.

Woodworker's Tip: Be careful when working with treated lumber. Be sure to wear a respirator during all cutting and sanding steps. Also, construction lumber such as pressure-treated material is often not uniform in width, so it's best to take the time to rip the pieces to guarantee they're all the same.

2. Crosscut the frame pieces A, B, C, D to their final lengths.

3. Cut the handle end of the upper frame arms, B, to produce a taper. Lay out the narrow end to be 1-1/2" wide, and measure 6" from the end. Connect the dots and cut the angle on a bandsaw. See Fig. 1.

4. Lay out the rounded ends of the arms by measuring in 7/8" from the end and 7/8" from the edge. The same center point will be used for the handle, so the layout should be on the inside of each arm, creating a left and right. Using a compass, draw a circle. Cut and sand the circle and tapered edge. See Fig. 2.

5. Counter bore for the copper handle. Use a 7/8" Forstner bit and do the counter bore on a drill press. Drill the hole 7/16" deep.

6. Assemble the lower frame using exterior glue and screws. Pre-drill and countersink for every screw.

Woodworker's Tip: When working with softwoods, you may be tempted to skip predrilling and countersinking for screws. You can get the job done, but over time, the parts will crack in the area surrounding the screw if you haven't predrilled.

7. Cut the copper pipe to length. Assemble the upper frame. Be sure to capture the pipe between the arms. You'll need to locate one cross piece on layout lines. See Fig. 3.

8. Cut the slats, E, to rough length. Rip them to their final width. Crosscut them to their final length.

Woodworker's Tip: The easiest way to make all the lengths identical is to use a stop on the miter saw. Secure a stop block on the fence at the necessary distance from the blade. Make a test cut and, if needed, adjust the block location.

9. Using a 1/4" round-over bit, round all four bottom corners of each slat. Sand the slats.

10. Install two outside slats. They are fastened to the cross braces and the arms using eight screws.

11. Place the remaining five slats between the two slats that are now screwed in place, tight to one side. Measure the space remaining. Divide the measurement by 6, the number of spaces between the slats. Cut two spacers to this dimension.

12. Using the spacers, install the remaining slats. Repeat for both frames.

13. Rough cut the legs, F and G, to length, rip to width and then cut them to final length.

14. See Fig. 4 for steps 14 to 17. Lay out the taper on the bottom end of the rear legs. Measure 1-1/2" from the edge, 6" up and connect the dots. Cut and sand the taper.

15. Machine the front legs to size. Lay a rear leg on the front legs with the top ends even. Trace the taper. Cut and sand.

16. Using a 1/4" round-over bit, round the outside corners of the legs. Make sure you machine the parts to make a left and right.

17. Drill a 3/4" hole in the front legs. It's centered 1-1/2" from the tapered end and 1" in from the outside (non-tapered) edge.

18. Make a template for the carriage bolt locations on the legs. Cut a piece of scrap (hardboard works great) measuring 2-1/2" x 3-1/4". Draw a diagonal from corner to corner. Measure in from each corner 3/4" and drill a 3/16" hole in each location. See Fig. 5.

19. Mark the hole locations on the rear leg, F. Make the template even with the inside edge of the leg (edge that has the taper on it) and even with the end. Mark through the template holes.

20. Measure and mark 22-1/2" from the top end of the rear leg. Position the template on this mark, even with the inside edge. Mark the holes. Repeat these steps for front legs, G.

21. Lay the legs on the frame. Make the top end of leg even with top of top frame and flush with outside. Use a square to make the leg perpendicular to the frame. Clamp the leg in place and drill two 1/4" holes through the leg and the frame. See Fig. 6.

22. Locate bottom by measuring 22-1/2" from top of top frame to top of bottom frame. Mark on leg. Clamp the leg in place and drill for the carriage bolts. Flip cart and repeat for remaining two legs.

23. Make wheels, J, by cutting a clear (knot-free) section of 1 x 6 to 6" long. Mark diagonals to find the center. Draw a 5" circle. Carefully cut the circles with a jigsaw and sand the rims smooth.

24. Drill a 3/4" hole in the center of the wheels. Cut the 3/4" dowel to length.

25. Using a V-block on the drill press, drill a 1/4" hole 1/2" in from each end of the 3/4" dowel/axle.

26. Cut wheel retainer pins from 1/4" dowel, making each one 1-1/2" long.

27. Glue in one retainer pin. Slide the axle through a wheel, through two legs, through the remaining wheel, and glue in the last retainer.

28. In preparation for finishing, sand all surfaces with 120-grit sandpaper.

PROTECTING YOUR PROJECT

Any type of wood that's used outdoors needs protection from sun and water damage. There are a variety of protective coatings available, including clear and tinted wood protectors and semi-transparent and solid stains. Each of these finishes has a different look and maintenance requirement.

To provide complete protection for your project, use Thompson's® WaterSeal® Deck & House Oil Waterproofing Stain or Thompson's® WaterSeal® Waterproofer Plus Tinted Wood Protector. Both products not only prevent water damage, but also resist damage from mildew and ultraviolet radiation in sunlight (UV). Thompson's® WaterSeal® Deck & House Oil Waterproofing Stain is available in 100 colors. Thompson's® WaterSeal® products are for exterior use only.

Woodworker's Tip: Always be sure to choose a waterproofer that claims to exceed industry standards for waterproofing on wood.

FINISHING TIPS

- Coverage: The approximate coverage of Thompson's® WaterSeal® Deck & House Oil Waterproofing Stain and Thompson's® WaterSeal® Waterproofer Plus Tinted Wood Protector on pine is about 250 square feet per gallon.
- When you apply either of these products, do not mix them with other waterproofing products, because variations in the final appearance of the surface being treated may result. Also, do not thin these products.

Recommended Finish

29. Before applying Thompson's® WaterSeal® Deck & House Oil Waterproofing Stain in Sierra Brown, the wood surface must be free of all dirt, wood dust and contaminants. If the wood needs cleaning, use Thompson's® WaterSeal® Deck Cleaner & Brightener or Thompson's® WaterSeal® Deck Wash. Always read and follow the directions found on the back of the container or package. After the cleaning is done, do a trial test before full application. The surface may darken slightly with application.

30. When applying this product, do not use it with other waterproofing products, as variations in the final appearance of the wood may result. Do not thin. To ensure good penetration, do not apply in direct sunlight or on hot days. Do not apply if rain is expected within 48 hours. Also, temperature must be above 50° F and remain above freezing for 24 hours.

31. Shake or stir contents for a minimum of 2 minutes before use. To ensure color uniformity, intermix all containers of the same color to be used.

32. Apply using a paint pad, brush, roller, or compression driven sprayer set on low. For small projects, a brush is the preferred applicator.

33. Apply one coat of Thompson's® WaterSeal® Deck & House Semi-Transparent Oil Waterproofing Stain in Sierra Brown. A second coat can be added if desired. Allow the first coat to dry thoroughly, approximately 4 hours, before second application.

34. Clean brushes and equipment with soap and water.

Alternate Finish

35. Before applying Thompson's® WaterSeal® Waterproofer Plus Tinted Wood Protector in Honey Gold, read and follow the directions found on the back of the can. Be sure that both surface and air temperature are above 50° F during application and for 48 hours after application. And, if you're working outside, do not apply product if rain is forecasted within 24 hours of application.

36. The surfaces must be free of dirt, wood dust and all other contaminants. To clean the wood, use either Thompson's® WaterSeal® Deck Cleaner & Brightener or Thompson's® WaterSeal® Deck Wash. If the surface is damp or wet from cleaning or weather, allow the surface to dry a minimum of 48 hours before application.

37. Do not mix the product with other waterproofing products because variations in the final appearance of the surface being treated may result.

38. Before applying the product over the entire surface, a small trial patch is recommended.

39. In most applications, only one light coat is necessary. Apply by brush, roller, paint pad, dipping, or sprayer. A garden "pump-up" style sprayer is the simplest method. Regardless of which application method used, remove puddles within 15 minutes by redistributing to dry areas or wiping off.

40. Oiliness and tackiness will result if overapplied, if applied to wet or damp surface, or if overnight temperature falls below 50° F within 48 hours of application.

41. Allow at least 48 hours to dry before you use the cart.

42. Clean brushes and equipment with mineral spirits.

NOTE: The length of protection will vary depending on environment. Perform the following splash test once a year to see whether reapplication is necessary. Sprinkle water on various sections of surface to be sealed. If water absorbs and darkens color of substrate within 5 seconds, the surface is porous and considered ready to be treated. If water beads up or otherwise sits on top of surface, then surface doesn't need protection at this time. Vertical and horizontal surfaces will experience color changes at different rates.

PRODUCT SAFETY

For your safety and the safety of those you work with, always read the safety warnings, which manufacturers print on their labels, and follow them to the letter. Typical safety advice and instructions will contain information such as the following:

WARNING! Removal of old paint by sanding, scraping, or other means may generate dust or fumes that contain lead. Exposure to lead dust or fumes may cause brain damage or other adverse health effects, especially in children or pregnant women. Controlling exposure to lead or other hazardous substances requires the use of proper protective equipment, such as properly fitted respirator (NIOSH approved) and proper containment and cleanup. For more information, call the National Lead Information Center at 1-800-424-LEAD (in US) or contact your local health authority.

VAPOR AND SPRAY MIST HARMFUL. Use only with adequate ventilation. When applying with a sprayer, wear a dust/mist filtering respirator (MSHA/NIOH approval number prefix TC-21C), or NIOSH approved respirator with any R,P, or HE filter. If oil is not present in the paint product or recommended for use as an additive, add "N" as an additional respirator type. Avoid contact with eyes and skin. Wash hands after using. Keep container closed when not in use. Do not transfer contents to other containers for storage.

FIRST AID: In case of eye contact, flush thoroughly with large amounts of water for 15 minutes and get medical attention. For skin contact, wash thoroughly with soap and water. In case of respiratory difficulty, provide fresh air and call physician. If swallowed, get medical attention immediately.

DELAYED EFFECTS FROM LONG-TERM OVEREXPOSURE. Contains solvents which can cause permanent brain and nervous system damage. Intentional misuse by deliberately concentrating and inhaling contents may be harmful or fatal.

WARNING: This product contains a chemical known to the State of California to cause cancer and birth defects or other reproductive harm.

DO NOT TAKE INTERNALLY. KEEP OUT OF REACH OF CHILDREN.

SAFE DISPOSAL OF RAGS AND WASTE.

DANGER: Rags, steel wool, other waste soaked with this product, and sanding residue may spontaneously catch fire if improperly discarded. Immediately place rags, steel wool, other waste soaked with this product, and sanding residue in a sealed, water-filled metal container. Dispose of in accordance with local fire regulations.

FIG 1.

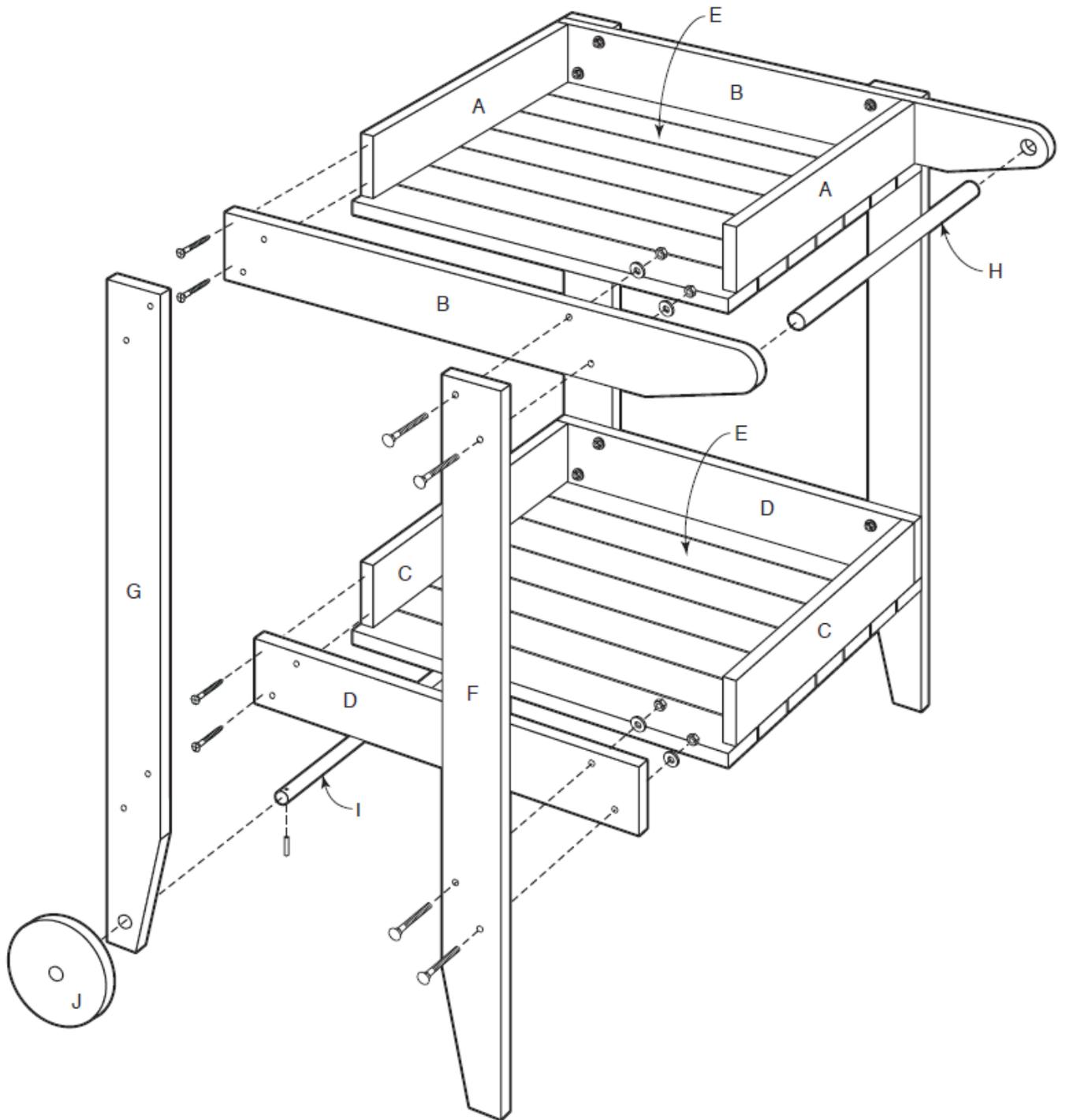


FIG 2.

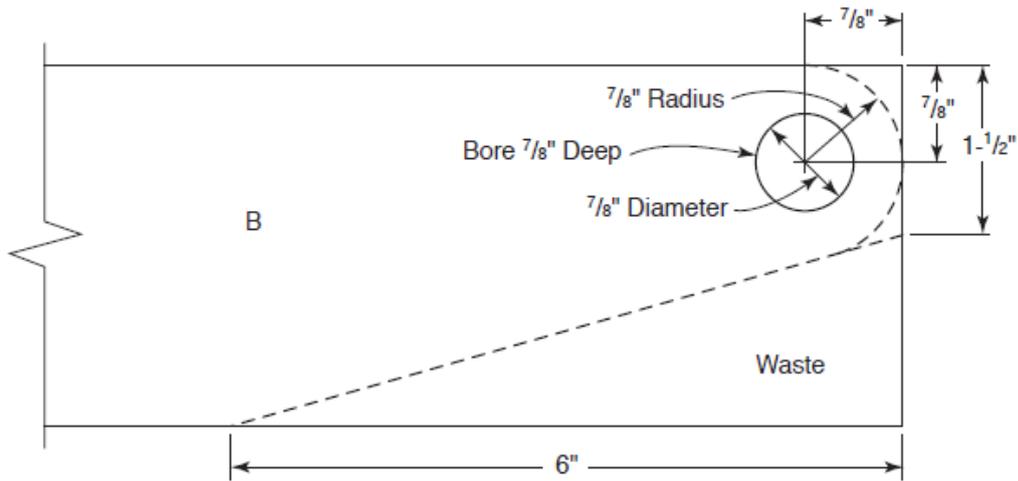


FIG 3.

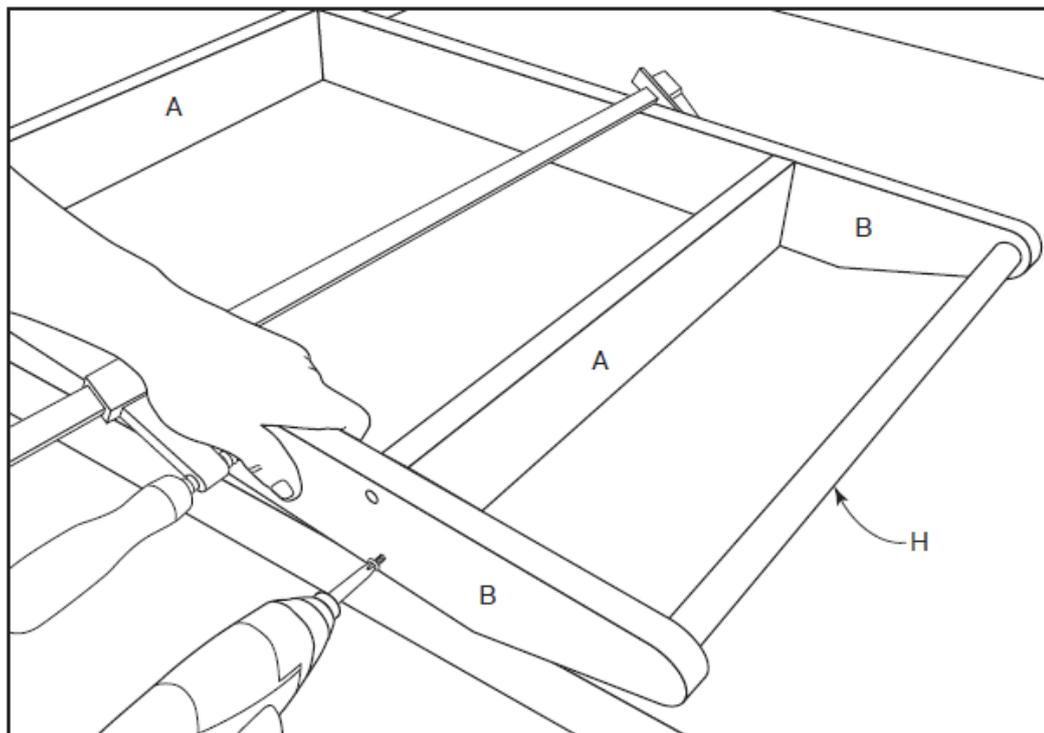


FIG 4.

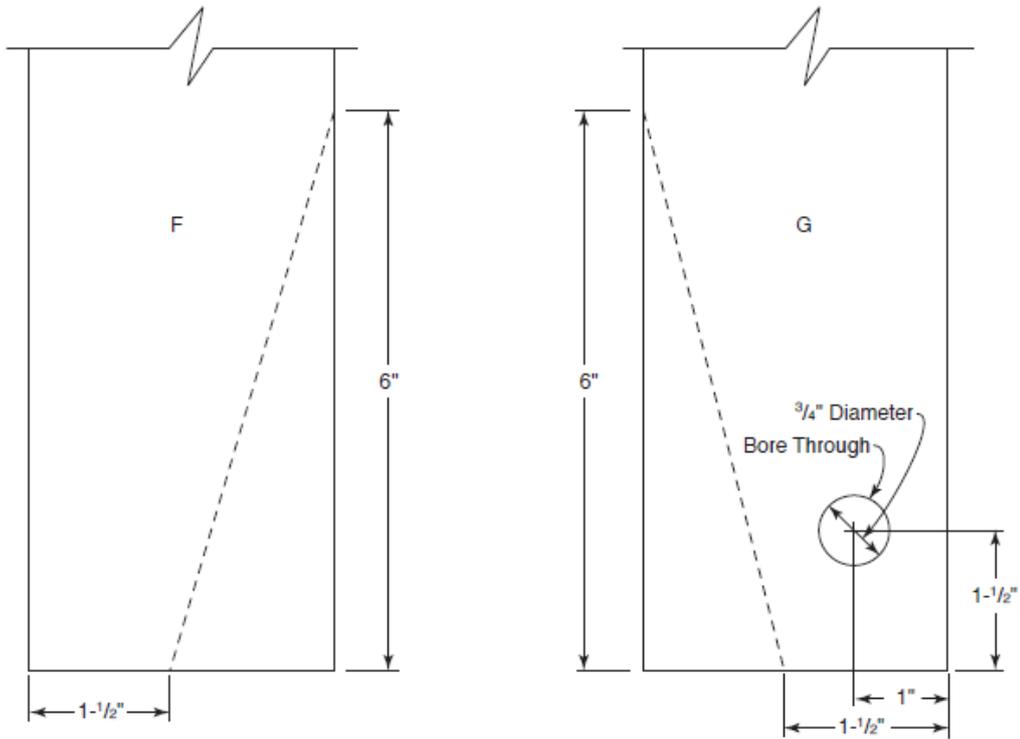


FIG 5.

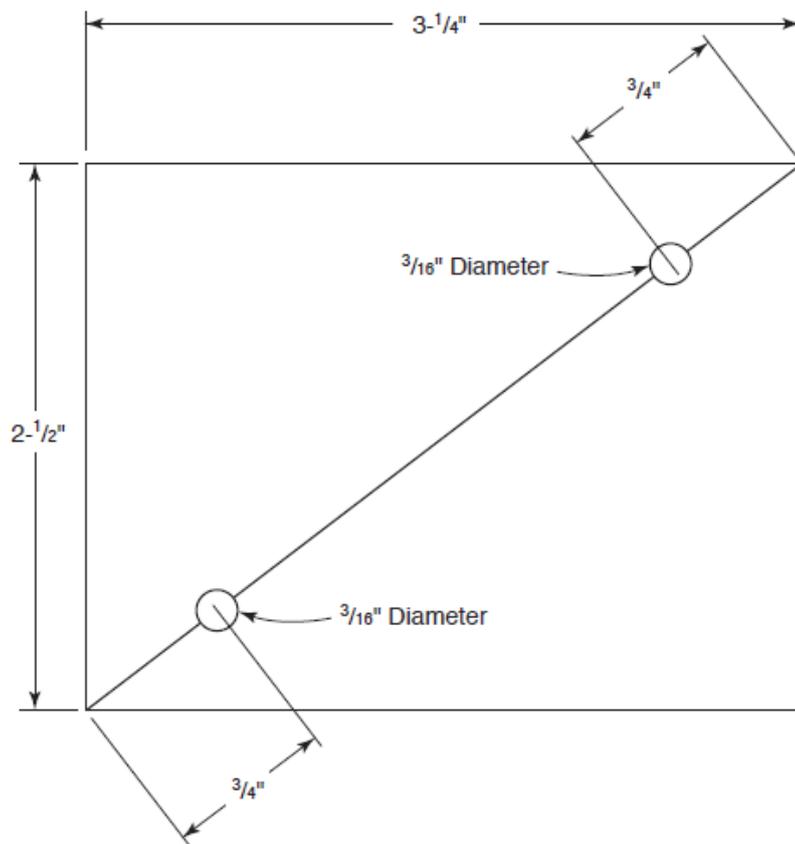


FIG 6.

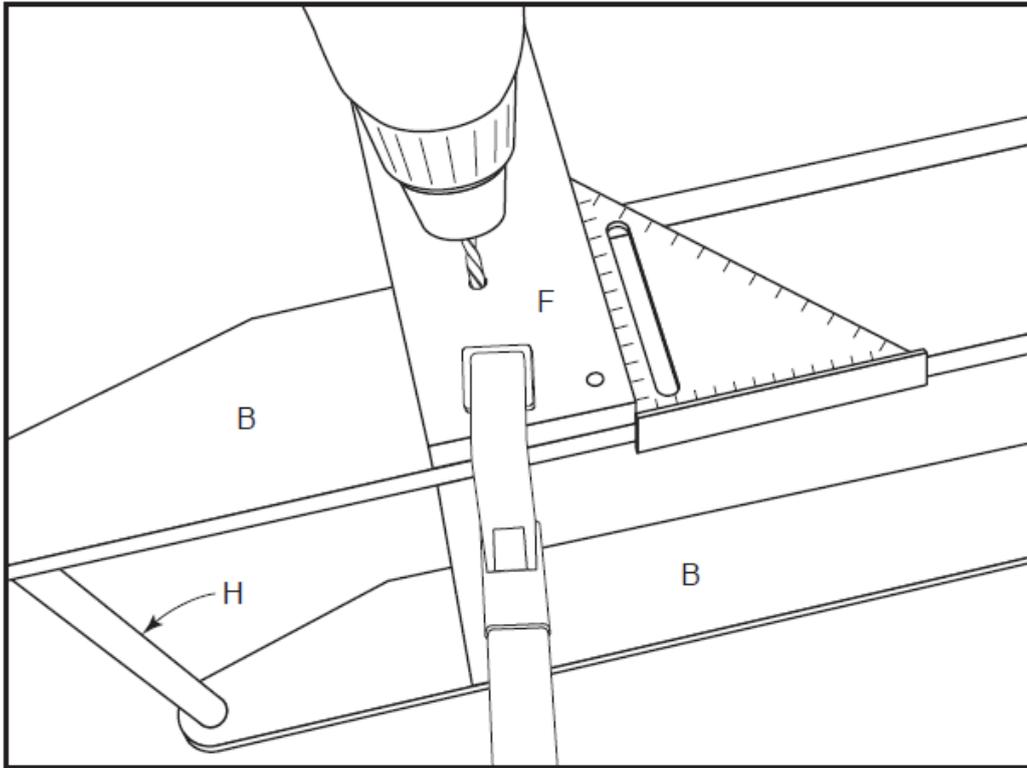
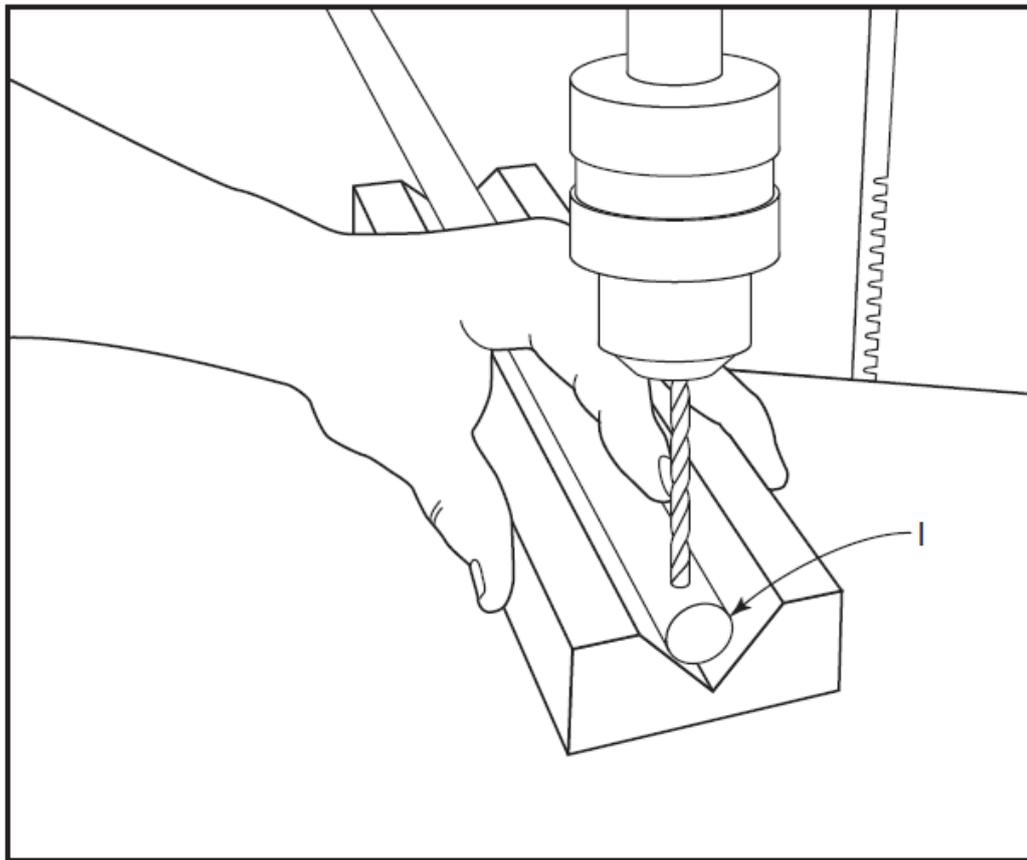


FIG 7.



Answers to Puzzles

Solution for Crossword #11

1	E	2	T	3	C	4	H	5	O	6	A	7	H	8	U	9	M	10	O	11	O	12	S	13	E
14	P	A	L	E	15	I	N	O	N	16	A	P	R	O	N										
17	I	C	E	D	18	L	I	S	P	19	R	E	B	U	T										
20	C	O	R	G	21	I	22	S	P	A	23	Y	24	R	I	S	E								
				25	G	E	N	26	T	27	I	C	E	28	W	A	T	E	R						
29	M	30	A	Y	31	T	H	32	I	C	K	S	E	T											
33	A	R	M	34	S	R	A	C	E					35	L	I	P	36	P	37	P	38	Y		
39	S	T	A	T	U	T	E			40	C	A	L	O	R	I	E								
42	S	Y	N	O	D					43	M	O	U	R	N	I	N	G							
					44	R	E	45	L	I	A	B	L	E	47	V	E	G							
48	S	49	T	50	E	E	R	I	N	G			51	D	A	T	A								
53	P	E	A	R				54	T	R	E	55	E		56	D	I	T	57	T	58	O			
59	I	N	G	O	T			61	U	N	D	O			63	L	E	A	N						
64	C	O	L	O	R			65	S	T	I	R			66	D	E	N	T						
67	E	N	E	M	Y			68	H	A	T	E			69	E	R	G	O						

DINGBATS no. 8 answers

- | | | | |
|----|--------------------------------------|----|--------------------------|
| 1 | HUNT HIGH AND LOW | 13 | TO EXCESS |
| 2 | GOOD LOOKING | 14 | A SLICE OF THE ACTION |
| 3 | FOREGONE CONCLUSION | 15 | BORED SILLY |
| 4 | THINK BEFORE YOU SPEAK | 16 | GO DOWN IN HISTORY |
| 5 | GREEN MILE | 17 | BLACK COMEDY |
| 6 | HAVE IT BOTH WAYS | 18 | BACKGROUND CHECK |
| 7 | BEAUTY IS IN THE EYE OF THE BEHOLDER | 19 | BACK TO BASICS |
| 8 | MATCH MADE IN HEAVEN | 20 | TO INFINITY AND BEYOND |
| 9 | SPREAD TOO THIN | 21 | CURL UP WITH A GOOD BOOK |
| 10 | HOLY WATER | 22 | A FOOT IN BOTH CAMPS |
| 11 | WATERSHIP DOWN | 23 | PARTING THE RED SEA |
| 12 | ODDS ON FAVOURITE | 24 | FROM ZERO TO HERO |

Sudoku 41 Solution

5	6	3	2	9	8	4	7	1
9	4	7	1	6	3	8	2	5
8	2	1	5	7	4	6	9	3
3	1	2	8	5	6	9	4	7
7	8	5	4	1	9	2	3	6
6	9	4	3	2	7	5	1	8
2	7	8	9	3	5	1	6	4
1	5	6	7	4	2	3	8	9
4	3	9	6	8	1	7	5	2

Sudoku 42 Solution

7	9	2	6	1	4	8	3	5
6	1	8	3	5	7	9	4	2
3	4	5	8	2	9	1	7	6
5	8	6	4	7	3	2	1	9
9	3	4	2	6	1	5	8	7
1	2	7	9	8	5	3	6	4
2	7	1	5	4	8	6	9	3
4	5	3	1	9	6	7	2	8
8	6	9	7	3	2	4	5	1

Sudoku 43 Solution

7	1	3	5	8	2	9	6	4
4	6	2	3	7	9	5	1	8
9	8	5	4	1	6	2	7	3
6	9	7	1	3	8	4	5	2
2	4	8	7	6	5	3	9	1
3	5	1	2	9	4	6	8	7
5	3	6	8	2	1	7	4	9
1	2	9	6	4	7	8	3	5
8	7	4	9	5	3	1	2	6

Sudoku 44 Solution

4	3	9	5	2	6	1	8	7
7	5	8	1	4	3	9	2	6
6	1	2	8	9	7	5	3	4
2	4	3	7	6	5	8	1	9
8	6	5	9	1	4	2	7	3
9	7	1	3	8	2	6	4	5
5	9	4	2	7	8	3	6	1
3	8	6	4	5	1	7	9	2
1	2	7	6	3	9	4	5	8

Answers to Wordsearch

Championship

n	t	x	b	g	s	h	e	f	f	i	e	l	d	t	u	n	i	t	e	d	
e	f	l	b	k	l	h	c	r	y	s	t	a	l	z	p	a	l	a	c	e	
t	d				y	t	n	u	o	c	q	y	b	r	e	d	v			n	n
z	j				n	y	t	i	c	z	h	c	i	w	r	o	n			s	n
l	e	i	c	e	s	t	e	r	w	c	i	t	y	k	d	i	z	y	c	s	
n	w	s	f	h	u	l	p	c	i	t	y	l	e	n	q	c	d	u	c		
t	t	y	e	l	s	n	r	a	b	a	j	x	p	b	e	c	u	p	n	v	
o	n	n	o	t	t	i	n	g	h	a	m	u	f	o	r	e	s	t	t	b	
t	g	r	m	d	b	p	b							s	q	h	b	p	h	h	x
i	h	g	u	o	r	b	s	e	l	d	d	i	m	o	t	j	z	t	o	h	
l	z	a	c	u	n	k	r	i	v	i	p	g	g	a	r	g	e	u	r	y	
e	g	p	f	o	i	i	p	s	w	i	c	h	r	t	o	w	n	o	p	t	
e	l	s	r	e	v	o	r	k	r	e	t	s	a	c	n	o	d	m	e	i	
d	g	n	i	d	a	e	r							e	b	f	u	e	s	o	c
s	n	v	f	d	s	b	y	e	l	n	r	u	b	b	n	j	x	t	u	r	
a	y	t	i	c	f	f	f	i	d	r	a	c	p	u	o	i	p	r	n	a	
u	h	p	t	c	c	w	a	t	f	o	r	d	z	w	t	l	r	o	i	e	
n	y	t	i	c	f	l	o	t	s	i	r	b	y	z	s	z	r	p	t	s	
i	l				n	u	p	a	c	k	m	i	x	d	t	e	l			e	n
t	a				f	h	b	d	r	p	q	z	n	n	o	r	f			d	a
e	z	l	l	a	w	l	l	i	m	h	m	m	j	v	p	f	t	m	u	w	
d	g	w	h	h	j	y	t	i	c	z	y	r	t	n	e	v	o	c	s	s	