

Read 'awl' about it

Newsletter from

The Cannock Chase Shed

Issue No. 34

Submissions and suggestions to Bob Mason at:
shednewsletter@virginmedia.com



week ending Sat 3rd July 2021

In This Issue....

- Shed News
- Meet the Committee
- Notices
- Crossword No 12
- Spot the Difference
- Project - Wishing Well
- Sudoku 45 – 48 (got no more left)
- Wordsearch - North American Mammals
- Humour
- Latest Scams
- Project - Secret Chamber Puzzle Box
- Answers to Puzzles

Going to need some more input from members as I have no more sudoku puzzles, and spot the difference one left for next issue

Shed News

enquiries@cannockchaseshed.org.uk goes directly to all Committee Members to answer as necessary should anyone wish to give information or make any comment.

Check our webpage...

...for information about our Shed, updates about reopening and back issues of the newsletter.

<https://cannockchaseshed.org.uk/>

We are on Facebook...

Remember we have a Facebook page, where you can chat with friends, exchange ideas or ask for advice, as well as sharing your projects.

If you are having trouble finding the bits you need for your project, why not post a request? Another member may have just what you're looking for sitting unused in their garage, or they may know where you can get one.

If you have useful items that you are loath to throw away, why not put up a post, offering them to other members, before consigning them to the tip?

Official Facebook page: Private Group

<https://www.facebook.com/groups/cannockchaseshedders>

Meet the Committee

Dave Shaw	Chairman
Leslie Jukes	Deputy chairman
Barry James	Health & Safety
Avril Green	Fundraising/Secretary
Graham Johnson	Treasurer
Tim Cutler	Project Manager

Shed Media

Peter Ross	Website/Facebook Group
Bob Mason	Newsletter

Could you...



- Sort through your photos and send me a picture and a few words? – your pet, garden, favourite holiday, your most useful tool, a current or past project, a cooking success (or disaster) or favourite recipe? – Pretty much anything you like.
- send me a suggestion of something you'd like to see included in the newsletter? – anything from just a broad idea, to a finished article.
- send in a 'reader's letter'? Share an anecdote or treasured memory? Share your expertise with those who have less experience?
- Send in something else, or help in another way that I haven't even mentioned?

Or if your shy pass it to one of the committee!!!

Notices

Can any member wishing to book a session either on Monday morning or Monday afternoon on the 5th of July please phone me on 07964851114.

The hours for the morning are:

9-30am to 12-30pm

and the afternoon is:

1-00pm to 4-00pm.

Also, a reminder that to book a session you will need to have had both covid vaccine jabs or if you haven't had the jabs you will need to take a lateral flow test at least 12 hours before coming to the Shed.

I understand that most members prefer mornings because of other commitments in the afternoon but as we are now paying £15 a day could some members please try and book an afternoon, it would also spread out the amount of members in any one session. We will also need a supervisor for each session so if any member who is present at one of the sessions can do that it would be much appreciated.

Cleaning, washing up, tidying etc: needs to be started at least 15mins before the end of each session and maybe a little earlier in the afternoon as the keys have to be returned to the museum for 4-15pm.

Lastly, due to Government restrictions being extended until July 19th social distancing and wearing masks inside the Shed will still be required. If you don't have a mask with you, one can be supplied.

If anyone has changed their phone number or email address since first joining the Shed can they please send the new details to Graham at enquiries@cannockchaseshed.org.uk so he can update his records.

Diary Dates: **3rd August** – 10:30 Shed AGM (Provisional)

CCShed Membership status:

Extended Membership ends this month (June) and Annual Fees will again be due on 1st July 2021. Reduced this year to £17.50. Please pay Treasurer Graham direct by cash, cheque made out to Cannock Chase Shed or, direct debit giving your name and 'Fees' as Ref if there's room. Cannock Chase Shed. Sort Code 30 96 26 Account Number 47466468.

Crossword #12

Across

- 1. Hindu wrap
- 5. Exonerate
- 10. Pack (down)
- 14. Pond croaker
- 15. Part of a roof
- 16. Way, way off
- 17. Ford's first assembly line, e.g.
- 19. Fine-tune, as muscles
- 20. Traffic stopper
- 21. Not the sharpest tool in the shed
- 23. Sensitive subject, to some
- 24. Puffed up, as a sprain
- 25. Hulled corn used in grits
- 29. River craft
- 30. Flip over

1	2	3	4		5	6	7	8	9		10	11	12	13
14					15						16			
17				18							19			
20									21	22				
				23				24						
25	26	27	28				29							
30						31						32	33	34
35						36					37			
38					39						40			
				41						42				
43	44	45							46					
47							48				49	50	51	52
53						54	55							
56						57					58			
59						60					61			

- 31. Customer base
- 35. Tip
- 36. Palm leaf
- 37. Mixed in with
- 38. Business law preventing monopolies
- 40. Kind of date
- 41. Got out of bed
- 42. Easy on the eyes
- 43. Renowned
- 46. Family nickname
- 47. Surgical cutter
- 48. Place for new recruits
- 53. Details, briefly
- 54. Fear of heights
- 56. Wedding cake layer
- 57. Wound dressing

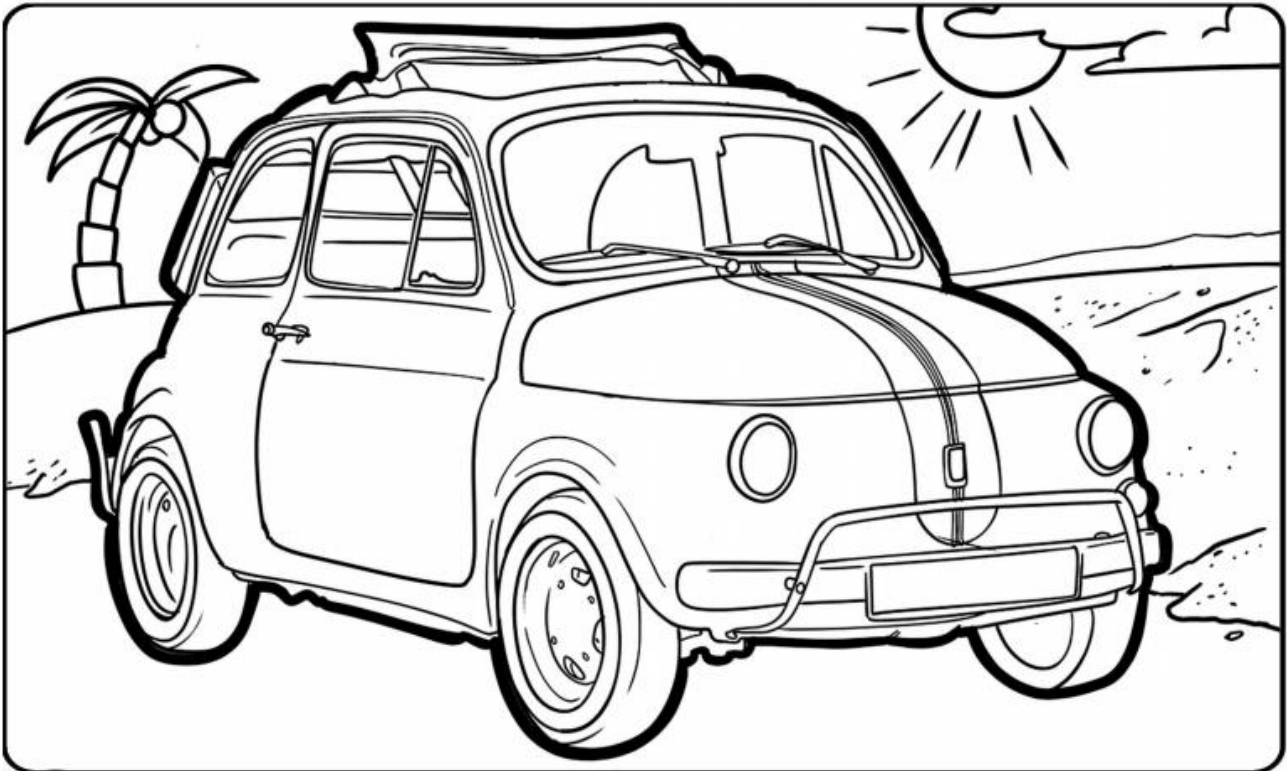
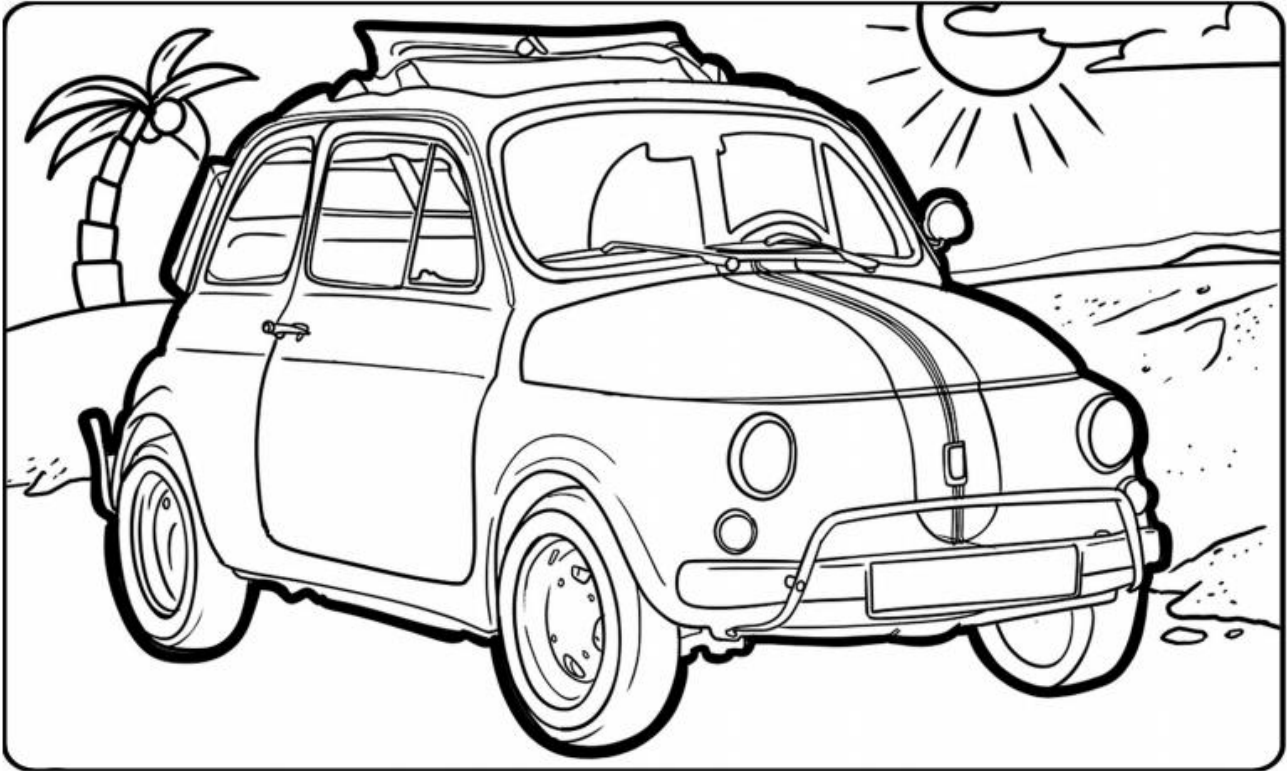
- 58. Help for the poor
 - 59. Bring in
 - 60. Keyboard key
 - 61. Majors and Horsley
- Down**
- 1. Recipe direction
 - 2. First-rate
 - 3. Kentucky senator Paul
 - 4. "Eyes Without a Face" singer
 - 5. Steep and rocky
 - 6. Like a ballerina
 - 7. Make revisions
 - 8. "Give it ___!"
 - 9. Famous
 - 10. Playground snitch
 - 11. Run ___ of

- 12. Clergyman's house
- 13. Get gussied up
- 18. Delicious dish
- 22. Welcome benefit
- 24. New Orleans player
- 25. Kind of skirt
- 26. Pop the cork
- 27. Butcher's stock
- 28. Fall decoration
- 29. ___ at hand
- 31. Pizza part
- 32. Send forth
- 33. Pocket particles
- 34. Singer Arnold
- 36. Type of road
- 39. Christmas decoration
- 40. Clear soup

- 42. Like some nouns
- 43. Privileged group
- 44. Frenzy
- 45. Surmise
- 46. Part of BYOB
- 48. Like some champagne
- 49. Mine product
- 50. Up to the task
- 51. Street performer
- 52. Packers play, perhaps
- 55. Campbell's container

SPOT THE DIFFERENCE

Can you spot the 9 differences between these two pictures?



Free printable courtesy of PrintitFree.net

Project – Wishing Well

Wishing Well

Once upon a time, when every village had a well at its center, it was believed that spirits took up residence there. Of course the better looking your well, the better the quality of occupant you got. Drop a little loose change in, make a wish, and hope the spirit of the well looked kindly upon having coins dropped on its head.

You're sure to draw a class tenant with this wishing well project. You can make this rustic lawn decoration from inexpensive waferwood, some shingles, and 2 x 4's. The base is a 35-inch-wide hexagon, 38 inches tall. The roof peak is just over 6 feet tall. Go ahead and make a wish come true.

Materials

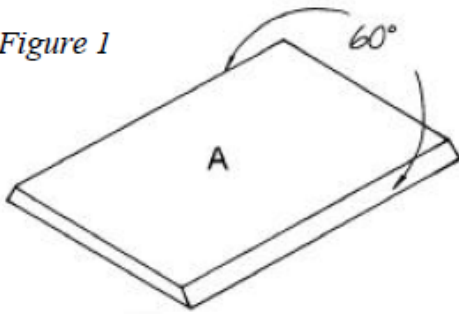
- 18 linear feet of pine 2 x 2 (Or you can use a 9-foot length of 2 x 4 ripped in half.)
- 31 linear feet of pine 2 x 4
- 33 square feet of ½-inch waferwood
- 41-inch length of ¾-inch diameter wooden dowel rod
- A few inches of 1-inch diameter wooden dowel rod for washers
- Two bundles of flat cedar shingles
- 3d or 4d finishing nails
- 9/16-inch staples or roofing nails
- Six No. 6 gauge flathead wood screws 1-1/2" long and two 1-inch long
- Waterproofing wood sealer, wood stain, carpenter's wood glue

Cutting List

Code	Description	Quantity	Material	Dimensions
A	Side	6	½" Waferwood	15" x 36"
B	Roof	2	½" Waferwood	21" x 33"
C	Support	2	2 x 4 pine	72 inches
D	Rafter	4	2 x 4 pine	18-1/4 inches
E	Brace	4	2 x 4 pine	13 inches
F	Trim	6	2 x 4 pine	16-5/8 inches
G	Corner	6	2 x 2 pine	36 inches

Cutting Instructions

Figure 1



1. Cut and label each piece.
2. Bevel both long edges of each Side (A) piece at 60-degree angle as shown in *Figure 1*.
3. Bevel one long edge of each Corner (G) piece at 30-degree angle as shown in *Figure 2*.
4. Miter both ends of each Trim (F) piece at a 60-degree angle as shown in *Figure 3*.
5. Miter one end of each Brace (E) piece at a 35-degree angle, and the opposite end at a 75-degree angle as shown in *Figure 5*. Do not miter the opposite end.

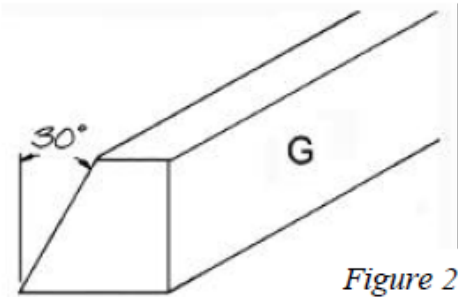


Figure 2



Figure 3



Figure 4

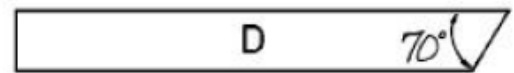


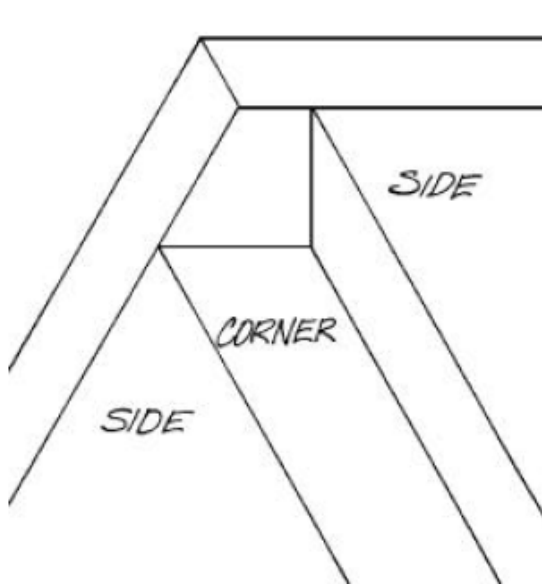
Figure 5

Assembly

We've divided the assembly into two sections, the base and the roof. In the final assembly, you'll put the roof on the base, then add the shingles, trim and hand crank (spirits optional).

Assembling the Base

1. It's easiest to build the well base in three sections with each section composed of two Sides (A) and one corner (G). Attach two Side pieces by gluing the beveled edges together; secure the joint by nailing through the Sides into the beveled edges of a Corner piece. Refer to *Figure 6*.
2. Follow the procedures in Step 1 to build two more identical sections, using all the remaining Side pieces (A) and two of the remaining Corner pieces (G).
3. To finish the base, join the three sections using the remaining Corner piece as shown in *Figure 7*. Glue and nail each joint.



Assembling the Roof Frame

1. Cut the upper end of each Support piece (C) into a peak as shown in Figure 8. Center and drill a 13/16-inch-diameter hole 10-1/2 inches from the peak end of each Support piece (C).
2. The frame is constructed one side at a time. Attach the Rafter (D) and Brace (E) pieces to the Support (C) piece as shown in figure 9, toenailing the joints. The upper edge of each Rafter (D) should be flush with the mitered corner of the Support piece, as shown.

Figure 6

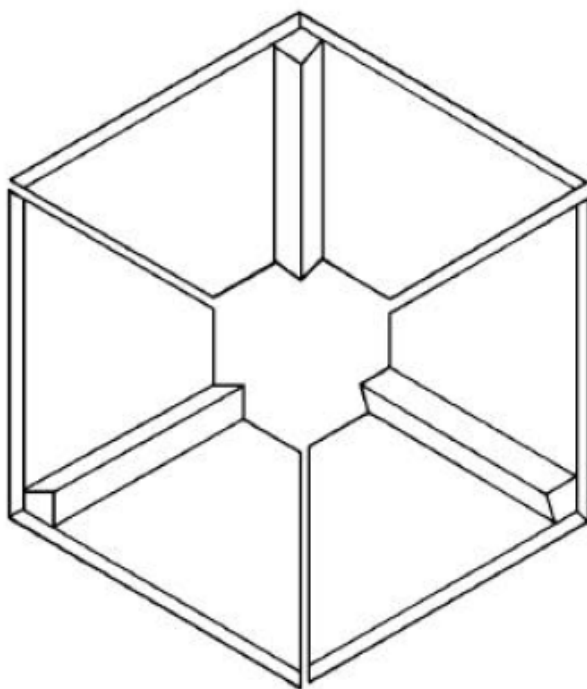


Figure 7

Final Assembly

1. To attach the roof frame to the well base, center one Support piece (C) on the inner surface of one Side piece (A) of the base. Secure it with glue and three 1-1/2-inch screws (Figure 10). The lower ends of the support and Side pieces should be flush.
2. Attach the remaining Support piece to the opposite Side (A) of the well base, securing with glue and screws.
3. Glue and nail the Roof pieces (B) to the rafters, butting their upper edges at the peak of the roof (Figure 11). We chose not to bevel the Roof piece edges (we'd had enough beveling by this time!) and the slight gap at the peak of the roof can be covered by shingles.
4. The Trim (F) is attached to the upper edge of the base, and supported by the inside Corner pieces (G). Modify two of the trim pieces to fit around the Support pieces as shown in *Figure 12*. Cut a 1-1/2 x 3-1/2-inch notch, centered on the shorter edge of the board.
5. Attach each of the notched Trim pieces (F) to the upper edges of the base where the roof supports are connected (*Figure 13*). The inner edge of the Trim piece should now be

flush with the inner edge of a Corner piece (G). Secure the joints by nailing through the Trim piece (F) into the ends of the Corner pieces (G).

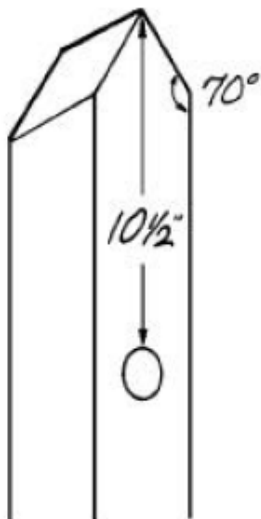


Figure 8

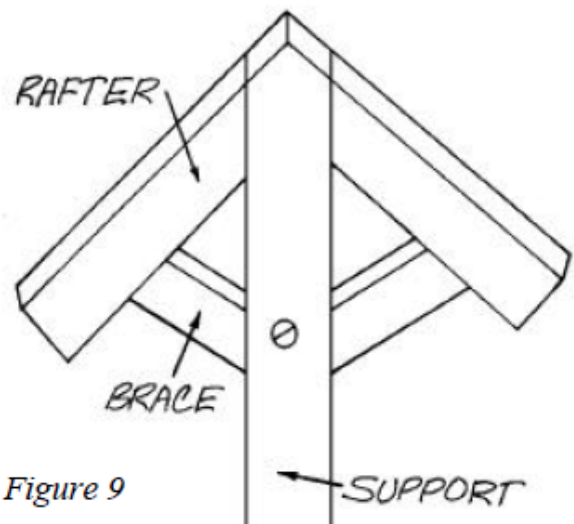
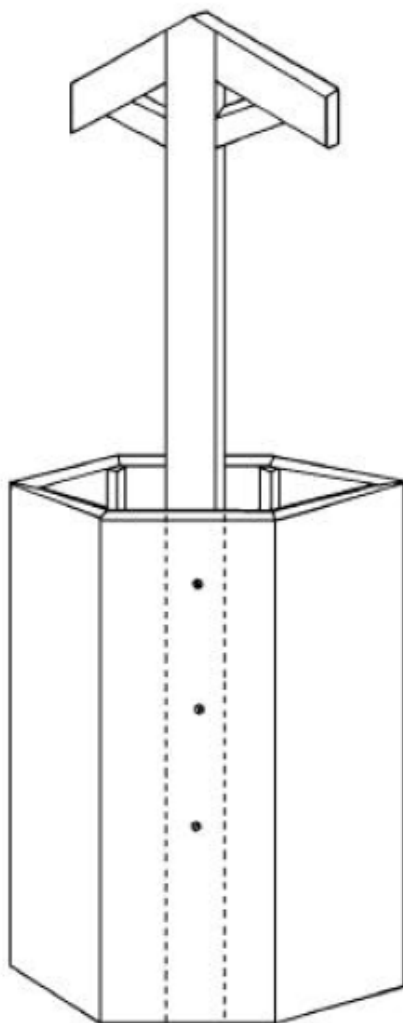


Figure 9



6. Attach the remaining Trim pieces in the same manner, matching the mitered ends around the well base (*Figure 14*). For extra strength, we toenailed each Trim piece joint.
7. Attach the shingles starting at the lower end of the base, overlapping them approximately eight inches. With that amount of overlap, we were able to put five rows on each side (*Figure 15*). We used a staple gun with 9/16-inch staples. Roofing nails will work just as well, but the ends will protrude on the inside of the well base. For better weatherproofing, the shingle edges on each row should overlap the edges of the row underneath it (*Figure 15*). You'll need to trim the shingles to different widths to allow for the overlap.
8. Shingle the roof in the same way as the sides, starting at each lower edge and working to the peak. To cover the peak, cut several 2-inch-wide shingle strips and overlap them along the upper edge of each Roof piece as shown in *Figure 16*.

Figure 10

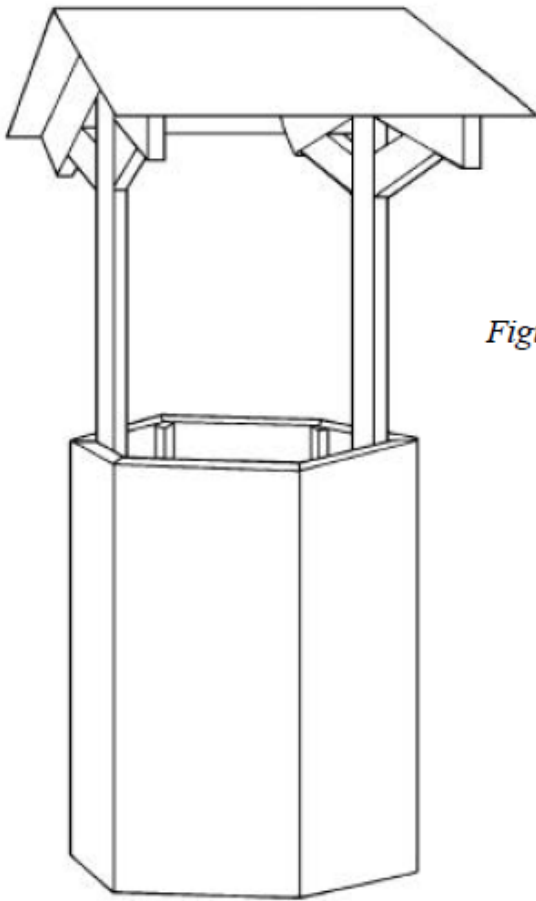


Figure 11

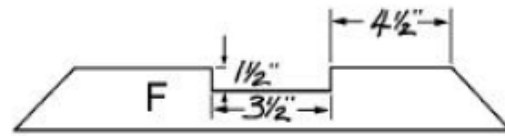


Figure 12

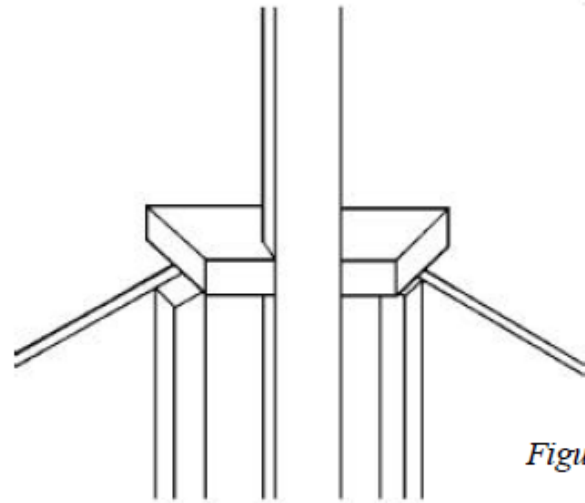


Figure 13

Assembling the Hand Crank

1. The hand crank is assembled in two sections, the shaft and the crank handle.
2. Cut a 28-inch length of the wooden dowel rod to make the shaft. Drill a shallow $\frac{3}{4}$ -inch-diameter socket $\frac{3}{4}$ inch from one end (Figure 17). Drill a screw hole through the center of the socket, enlarging it on the opposite side so you can countersink a screw.
3. To make a handle, cut a 7-1/4-inch length of dowel rod and drill a shallow $\frac{3}{4}$ -inch-diameter socket $\frac{3}{4}$ inch from one end. Drill and enlarge a screw hole in this socket the same way you did in Step 1. Insert one end of the remaining piece of dowel rod into the socket, securing it with glue and a 1-inch screw from the opposite side (Figure 18).
4. Insert the assembled handle into the socket of the shaft, and secure it with glue and a 1-inch screw from the opposite side (Figure 19).
5. Make a pair of wooden washers to hold the hand crank shaft in place by drilling a $\frac{3}{4}$ inch-diameter hole into the center of a 1-inch diameter dowel rod. Slice off two $\frac{1}{4}$ -inch pieces to make the washers.



Figure 17

Figure 18

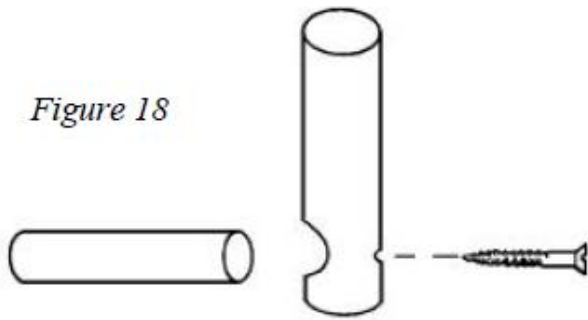


Figure 19

7. For an authentic touch, add a rope and a wooden bucket as in *Figure 20*. (The older and more weathered the better!)

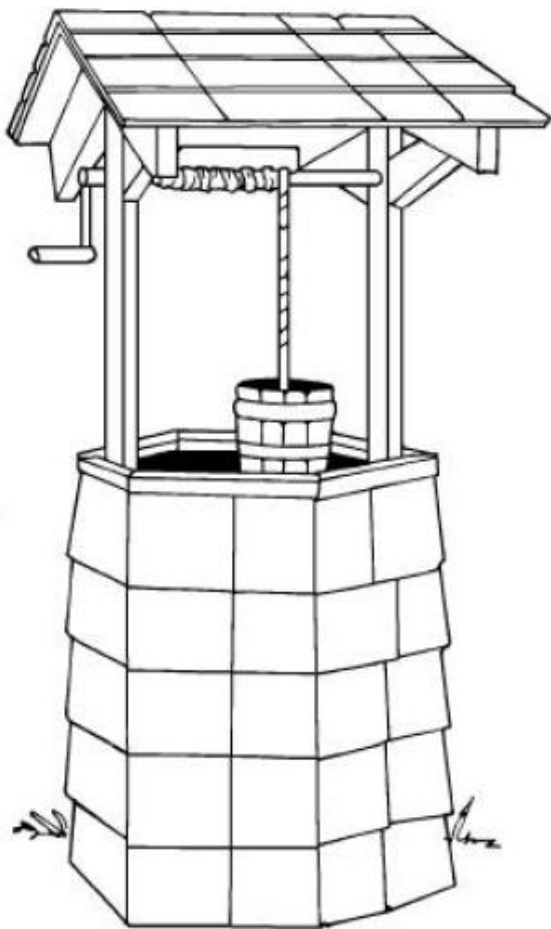


Figure 20

Finishing

1. Stain or paint the wishing well, or leave it natural. We opted to stain only the exposed 2 x 4 pieces, leaving the shingles to age naturally. If the finished piece will be exposed to harsh weather conditions, you may wish to apply a waterproof finish to avoid deterioration.

Sudoku 45

1			4			7		2
4	7							
5		8					6	
							4	6
	4	2		1		5		
				9		1		7
		1						
7	5		1	4	6	3		
				5		9		

Sudoku 46

		2			9			
7				8				
5	8							3
				7	1		5	
			6				2	7
	3		5					
8					5			
3		6		2			9	
	4							5

Sudoku 47

9							6	
	1		7		4	2	3	
2		8				4		7
				9	2			
	6		3		7			
4			6					3
5							7	
		3	1				8	6
			2	7				4

Sudoku 48

6			9			4		
9		4		2				5
7								2
		8						6
	5			1		2		
			3		7	5		
		6	2	5		8	7	
	1			7				
			6		1	9		

Wordsearch

North American Mammals

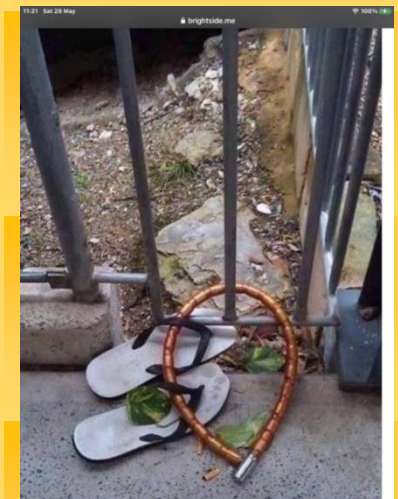
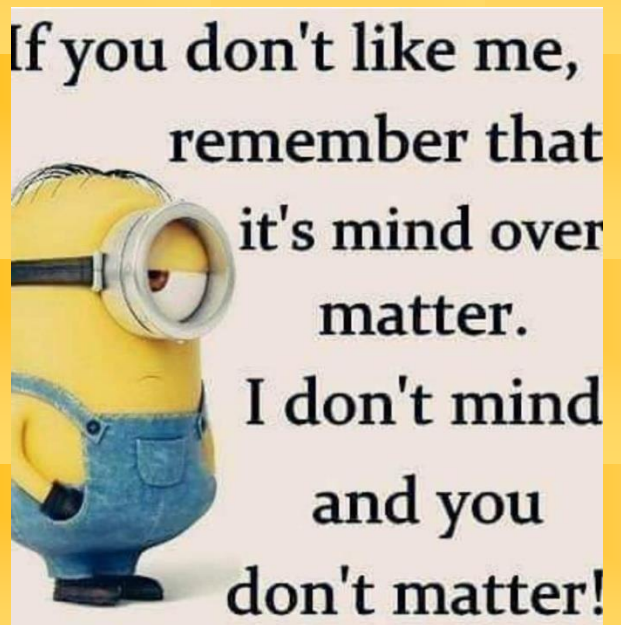
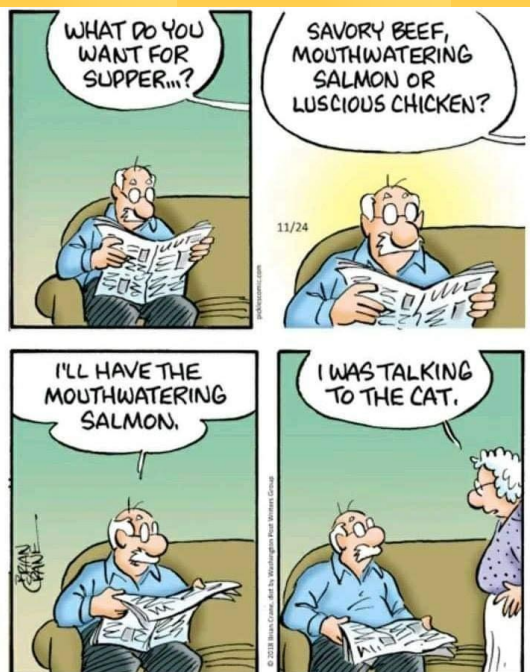
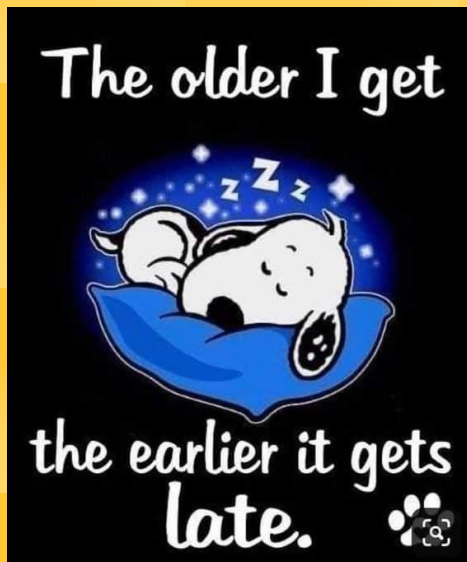
d	r	b	q	g	z	i	w	z	r	e	v	a	e	b	a	r	d
h	u	c	c	x	m	f	l	o	w	b	r	e	r	a	h	m	t
l	o	g	z	r	b	d	g	g	s	x	s	h	r	e	w	e	t
e	b	y	w	e	a	s	e	l	o	j	r	o	e	d	r	i	a
m	i	m	k	a	c	v	r	k	b	h	f	n	i	f	b	b	r
m	r	r	e	h	p	o	g	z	n	m	d	k	f	b	c	i	d
i	a	k	g	j	j	x	v	k	k	u	o	n	a	y	j	s	n
n	c	s	l	g	c	o	y	o	t	e	m	r	u	r	f	o	y
g	x	q	p	e	m	q	r	n	a	o	k	p	s	o	m	n	d
t	n	u	a	j	i	c	a	j	o	c	r	l	i	f	r	v	o
d	y	i	u	e	n	r	e	b	a	o	a	t	k	h	o	g	m
n	l	r	r	c	k	j	b	j	o	f	c	i	g	l	c	b	o
c	z	r	s	p	e	w	m	y	r	b	e	c	e	t	l	t	e
u	d	e	t	s	k	d	n	s	e	o	c	r	a	m	a	i	o
h	a	l	o	s	z	l	w	j	c	t	f	a	r	r	j	b	q
l	y	o	a	r	f	b	o	s	k	u	n	k	t	e	y	b	k
c	m	e	a	c	o	q	r	t	f	d	m	b	p	t	t	a	j
g	r	t	n	e	x	b	b	x	k	e	s	u	o	m	m	r	y

bison
squirrel
chipmunk
hare
jackrabbit
brown bear
fox
beaver
mink
moose

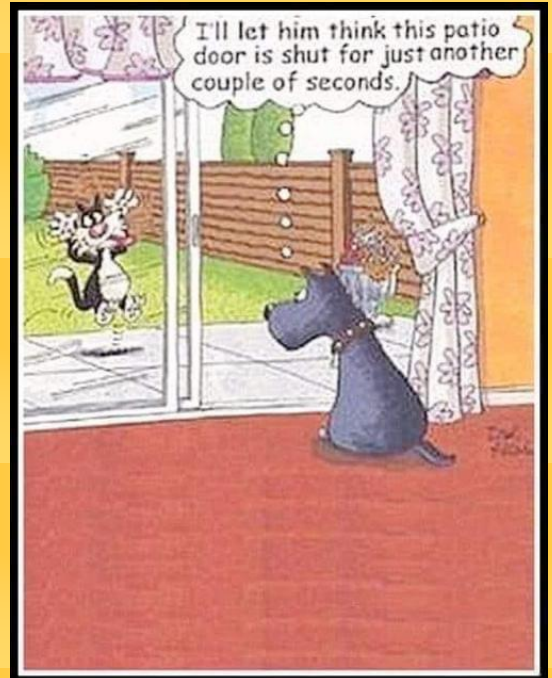
wolf
ferret
caribou
elk
bat
skunk
seal
rat
weasel
vole

gopher
mouse
lemming
groundhog
rabbit
shrew
lynx
bobcat
coyote
raccoon

Humour



Humour



Gentleman, want to make your lady feel special? Place her picture in the kitchen, and write employee of the month. She'll love it! Follow me for more relationship tips



Humour



As things slowly return to normal I recommend that you shave off your Beards & Mustaches.

Also feel free to ask your husbands and boyfriends to do the same!

Had a painter and decorator round. He's a currently furloughed Virgin Atlantic Pilot.

Made a lovely job of the landing...

Murphy was rowing at the lake, when suddenly the Loch Ness Monster attacked and grabbed him from his boat. He panicked and shouted, "God help me!"

And suddenly the monster and everything around him just stopped.

A voice from the heavens boomed, "You say you don't believe in me, but now you are asking for my help?"

Murphy looked up and said, "Well, ten seconds ago I didn't believe in the Loch Ness Monster either!!"

LATEST GOVERNMENT TRAVEL UPDATE

We can only visit countries who voted for us in the Eurovision song contest 🇬🇧

I got an email the other day telling me how to read maps backwards.

Turns out it was just spam.

Latest Scams

Citizens Advice shares its learnings about the world of scams

Citizens Advice says many often assume that it's older, less 'digitally savvy' people that get scammed. But that couldn't be further from the truth. Fraudsters have adapted their techniques whenever there's been a new development in the pandemic, and they are taking advantage of the financial pressures people are under.

Every year, Citizens Advice runs [Scams Awareness Fortnight](#) with the Consumer Protection Partnership. Here, it explains what it has learnt about scams in the past year.

[Learnings about scams](#)

Online dating fraud

Romance fraud has boomed during the UK's lockdowns, with reports to Action Fraud up 40% in the year to April 2021. Fake profiles on dating sites and social media platforms are so prevalent that TV producers have commissioned a new UK spin-off of the popular US reality show 'Catfish'.

Here, victims of romance fraud tell us about their experiences in their own words, and we speak to a forensic linguist to lift the lid on [tactics used by these masters of manipulation](#).

[The cost of romance fraud](#)

PS Please share this information with your friends, family and neighbours – anyone who may find it helpful. Alternatively, they can [sign up here](#) to receive this directly to their inbox.

You're receiving this email because you signed up to the Which? scam alert service.

Project – Secret Chamber Puzzle Box

Secret Chamber Puzzle Box

**BEST
PROJECT**
DESIGN CONTEST
FINALIST
SCROLL SAW WOODWORKING & CRAFTS

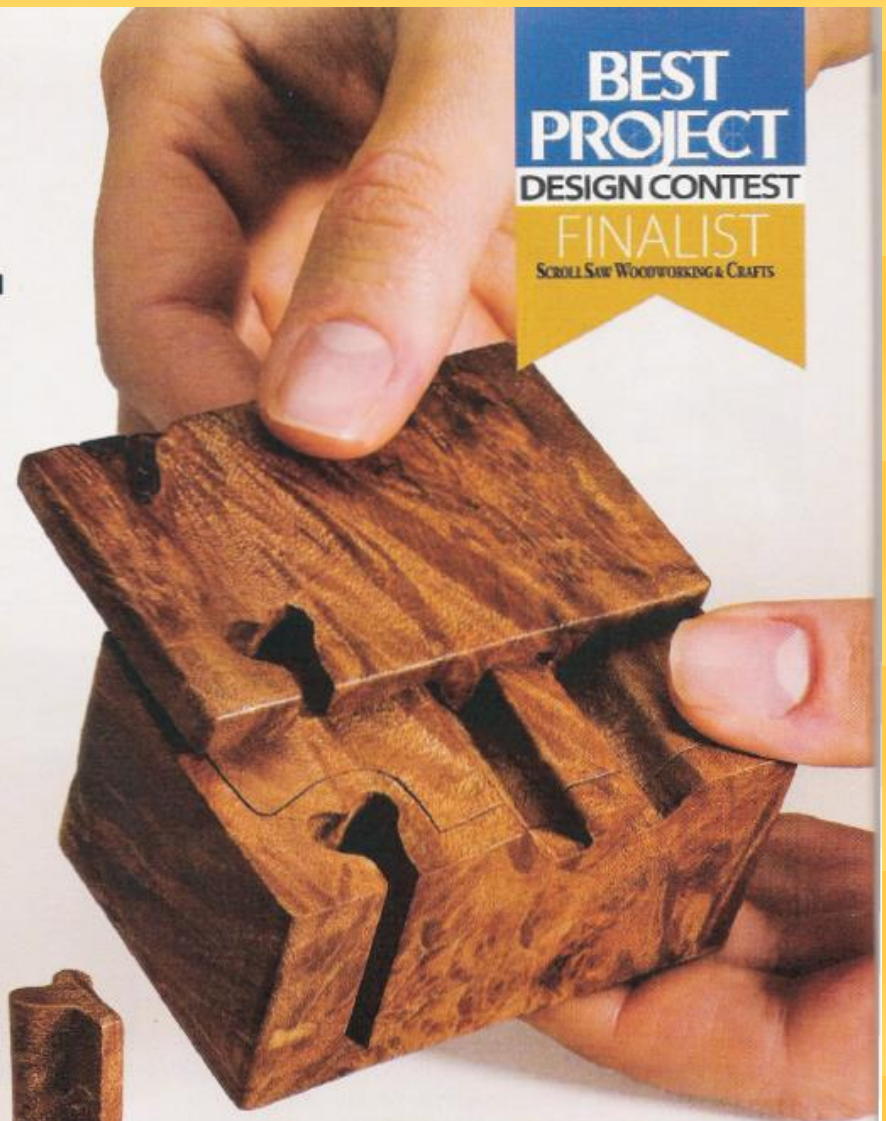
Clever box with heart-shaped key is easy to make on your scroll saw

*By Karl Taylor
Pine box cut by Ben Fink*

During a band saw demonstration at our woodworking club, the instructor said certain projects could only be made with a band saw. Loving a good challenge, I proclaimed anything made on a band saw could also be made on a scroll saw—only smaller. For the next several months, club members proved my assertion by displaying their large projects along with a duplicate version made in miniature. That demonstration and the creativity of my fellow club members inspired this puzzle box. I adapted band saw techniques to meet the scroll saw's capabilities.

I make these puzzle boxes in a variety of sizes and shapes. Once you understand the technique, get creative. As long as the wood will fit your scroll saw, you can use it to make the box. I have made boxes as large as 1" by 1" by 12" and as small as ¼" by ¼" by 1". For smaller boxes, you need to use smaller blades.

Before you begin, use a small square to make sure your saw blade is exactly perpendicular to your table. This is critical for proper movement of the box parts. Check to make sure the blade is still square to the table throughout the process.



Remove the key and slide the lid off to reveal the secret chamber.



PUZZLE BOX: CUTTING THE BOX



1 Cut the box blank to the desired size and shape. You can add round corners, a zigzag shape, or leave it square. Choose the most appealing side of the blank for the top of the box. Place a piece of masking tape on the side, indicating the top and bottom.



2 Cut the bottom of the box. Fold the pattern on the dotted line and attach the pattern to the blank or make a mark $\frac{1}{8}$ " up from the bottom. Make sure your blade is square to the saw table and cut along the red line. Set the bottom aside for now.

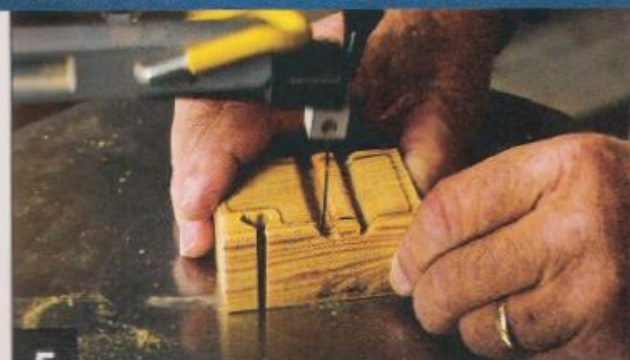


3 Cut the locking key. Cut a key out of the main section of the box. Draw the key on with a pencil or use the pattern provided. I make keys shaped like hearts, stars, and Ts. Cut the key and set it aside.



4 Cut the box lid. With the key removed from the main box, cut the sliding lid. Follow along the green line on the pattern or draw a similar line on the side of the box. Cut along the line with a #7 reverse-tooth blade. Slide the lid off and set it aside.

PUZZLE BOX: CUTTING THE CHAMBER



5 Cut the chamber. Draw a line $\frac{1}{8}$ " in from the edge the entire way around the blank. The line goes around the key slot, as shown with the dotted line on the pattern. Drill a small blade-entry hole in one corner and cut along the line. Save both pieces.

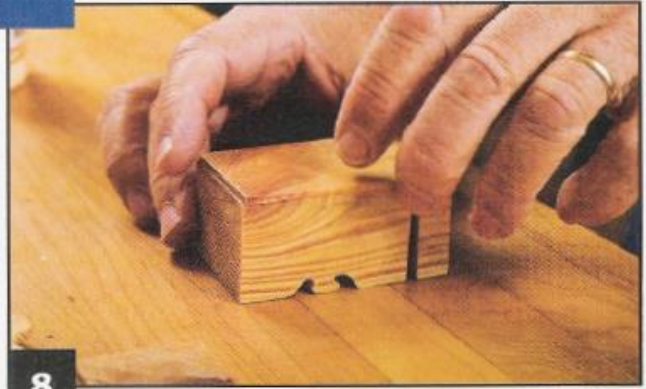


6 Cut the chamber lid. Sketch a line about $\frac{1}{8}$ " below the top of the solid piece cut in step 5. Ignore the puzzle lobe, but follow the general contour. Cut along this line with a #7 reverse-tooth blade. Set the top chamber lid piece (with the puzzle lobe) aside.

PUZZLE BOX: ASSEMBLING THE BOX



7 **Cut the risers.** Draw a line $\frac{1}{8}$ " in from both ends of the solid piece left over from step 6. Cut along these lines. These end pieces will become risers that fit inside the chamber and support the chamber lid.



8 **Glue the box sides to the bottom.** Apply a small amount of glue along the bottom edge of the box sides. Do not apply any glue around the key slot area. Position the bottom panel on the box sides and remove any glue squeeze out.



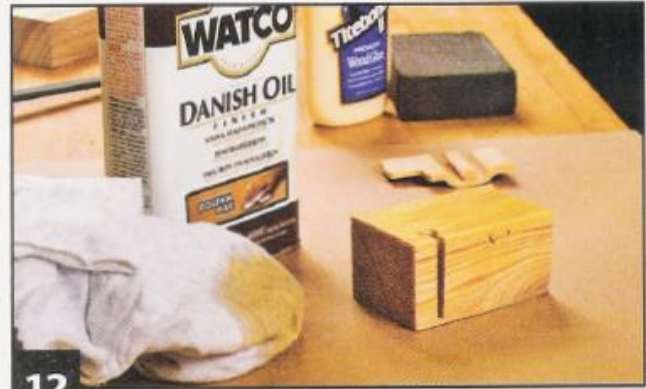
9 **Attach the risers.** Apply small amounts of glue to the inside ends of the box sides. Place the risers cut in step 7 in position on both ends. Remove any glue squeeze out above the risers. Replace the chamber lid to hold the risers in position.



10 **Finish assembling the box.** Carefully slide the top into place. Do not install the key. Use bar clamps to apply even pressure on the box bottom. Remove any glue squeeze out and allow the glue to dry overnight.



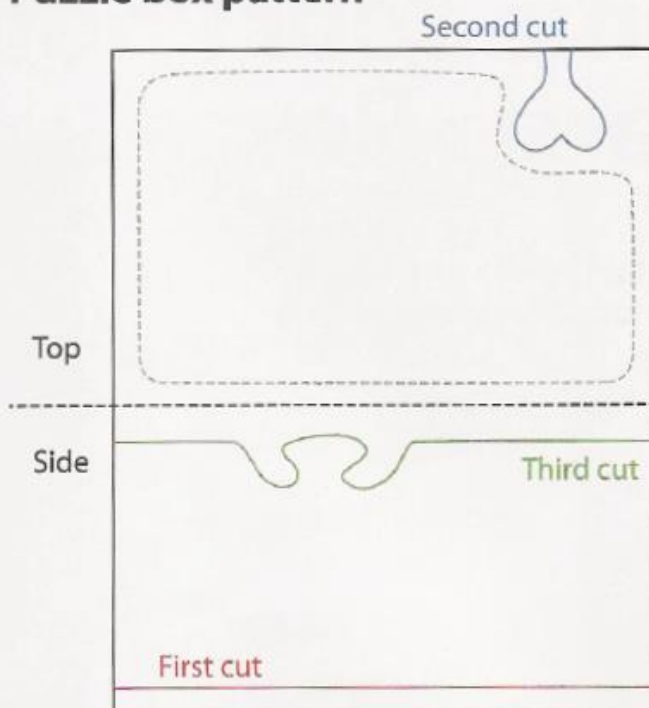
11 **Sand the box.** Use a sanding block to sand away any remaining pencil marks. Sand the rough edges smooth.



12 **Apply a finish.** I use Danish oil followed by a coat of paste wax. A spray lacquer will also work. Finish all of the components.



Puzzle box pattern



Alternate
key design

© 2009 Scroll Saw Woodworking & Crafts



Experiment with different
shapes for unique box styles.

Materials & Tools

Materials:

- 1 3/8" x 1 7/8" x 2 7/8" hardwood or wood of choice
- Aleene's tacky glue (white or clear)
- Danish oil and paste wax or finish of choice

Tools:

- #7 reverse-tooth blades or blades of choice
- Pencil with sharp point
- Ruler or other marking device
- Drill with comparable bit sized to scroll saw blade
- Small bar clamps
- Small square or 90° angle gauge
- 150-grit sanding block

TIPS DRAWING CUTTING LINES

- Mark the wood lightly with a pencil
- If using a dark wood, try using a white colored pencil

Karl Taylor is a self-taught sawyer from Lawrenceville, Ga. He co-founded the Atlanta Scrollsaw Club and is a member of the Woodworkers Guild of Georgia. Karl is an active instructor and gives demonstrations for DeWalt, PS Woods, and Dremel in stores and at shows. Contact Karl at karlscut@hotmail.com.



Answers to Puzzles

Solution for Crossword #12

1	S	2	A	3	R	4	I		5	C	6	L	7	E	8	A	9	R		10	T	11	A	12	M	13	P				
14	T	O	A	D				15	R	I	D	G	E							16	A	F	A	R							
17	I	N	N	O		18	V	A	T	I	O	N								19	T	O	N	E							
20	R	E	D	L	I	G	H	T					21	O	B	T	U	S	E												
							23	A	G	E			24	S	W	O	L	L	E	N											
25	H	26	O	27	M	28	I	N	Y			29	C	A	N	O	E														
30	U	P	E	N	D					31	C	L	I	E	N	T	E	L	E		32		33		34						
35	L	E	A	D						36	F	R	O	N	D					37	A	M	I	D							
38	A	N	T	I		39	T	R	U	S	T					40	B	L	I	N	D										
						41	A	R	O	S	E					42	P	R	E	T	T	Y									
43	E	44	M	45	I	N	E	N	T					46	B	R	O														
47	L	A	N	C	E	T							48	B	O	O	T		49	C	A	M	P		50		51		52		
53	I	N	F	O						54	A	C	R	O	P	H	O	B	I	A											
56	T	I	E	R						57	G	A	U	Z	E					58	A	L	M	S							
59	E	A	R	N						60	E	N	T	E	R					61	L	E	E	S							

Sudoku 45 Solution

1	9	6	4	8	5	7	3	2
4	7	3	9	6	2	8	1	5
5	2	8	3	7	1	4	6	9
9	1	7	5	3	8	2	4	6
8	4	2	6	1	7	5	9	3
6	3	5	2	9	4	1	8	7
3	8	1	7	2	9	6	5	4
7	5	9	1	4	6	3	2	8
2	6	4	8	5	3	9	7	1

Sudoku 46 Solution

1	6	2	3	5	9	7	4	8
7	9	3	4	8	6	5	1	2
5	8	4	2	1	7	9	6	3
4	2	8	9	7	1	3	5	6
9	1	5	6	3	8	4	2	7
6	3	7	5	4	2	1	8	9
8	7	9	1	6	5	2	3	4
3	5	6	7	2	4	8	9	1
2	4	1	8	9	3	6	7	5

Sudoku 47 Solution

9	7	4	5	2	3	8	6	1
6	1	5	7	8	4	2	3	9
2	3	8	9	6	1	4	5	7
3	5	7	4	9	2	6	1	8
8	6	2	3	1	7	9	4	5
4	9	1	6	5	8	7	2	3
5	4	9	8	3	6	1	7	2
7	2	3	1	4	9	5	8	6
1	8	6	2	7	5	3	9	4

Sudoku 48 Solution

6	2	1	9	3	5	4	8	7
9	3	4	7	2	8	1	6	5
7	8	5	1	6	4	3	9	2
1	4	8	5	9	2	7	3	6
3	5	7	8	1	6	2	4	9
2	6	9	3	4	7	5	1	8
4	9	6	2	5	3	8	7	1
8	1	2	4	7	9	6	5	3
5	7	3	6	8	1	9	2	4

Answers to Wordsearch

North American Mammals

d	r	b	q	g	z	i	w	z	r	e	v	a	e	b	a	r	d
h	u	c	c	x	m	f	l	o	w	b	r	e	r	a	h	m	t
l	o	g	z	r	b	d	g	g	s	x	s	h	r	e	w	e	t
e	b	y	w	e	a	s	e	l	o	j	r	o	e	d	r	i	a
m	i	m	k	a	c	v	r	k	b	h	f	n	i	f	b	b	r
m	r	r	e	h	p	o	g	z	n	m	d	k	f	b	c	i	d
i	a	k	g	j	j	x	v	k	k	u	o	n	a	y	j	s	n
n	c	s	l	g	c	o	y	o	t	e	m	r	u	r	f	o	y
g	x	q	p	e	m	q	r	n	a	o	k	p	s	o	m	n	d
t	n	u	a	j	i	c	a	j	o	c	r	l	i	f	r	v	o
d	y	i	u	e	n	r	e	b	a	o	a	t	k	h	o	g	m
n	l	r	r	c	k	j	b	j	o	f	c	i	g	l	c	b	o
c	z	r	s	p	e	w	m	y	r	b	e	c	e	t	l	t	e
u	d	e	t	s	k	d	n	s	e	o	c	r	a	m	a	i	o
h	a	l	o	s	z	l	w	j	c	t	f	a	r	r	j	b	q
l	y	o	a	r	f	b	o	s	k	u	n	k	t	e	y	b	k
c	m	e	a	c	o	q	r	t	f	d	m	b	p	t	t	a	j
g	r	t	n	e	x	b	b	x	k	e	s	u	o	m	m	r	y