

Read 'awl' about it

Newsletter from

The Cannock Chase Shed



Issue No. 35

Submissions and suggestions to Bob Mason at:

shednewsletter@virginmedia.com

week ending Sat 10th July 2021

In This Issue....

- Shed News
- Meet the Committee
- Notices
- Crossword No 13
- Spot the Difference
- Project – Modular Planter Bench
- Wordsearch – Car Makes
- Humour
- Interesting Facts
- Latest Scams
- Project – Raised Herb Garden
- Answers to Puzzles

Going to need some more input from members as I have no more sudoku puzzles, and spot the difference for next issue

Shed News

Cannock Chase Shed Zoom Webchats

These are still taking place at **10.30 am each Monday**

Committee meetings are held on Tuesdays

(for committee members only)

If you'd like to drop in, please contact Barry (barrykjames@yahoo.com) who will help you to get set up, and send you an invitation to join the meeting.

Check our webpage...

...for information about our Shed, updates about reopening and back issues of the newsletter.

<https://cannockchaseshed.org.uk/>

We are on Facebook...

Remember we have a Facebook page, where you can chat with friends, exchange ideas or ask for advice, as well as sharing your projects.

If you are having trouble finding the bits you need for your project, why not post a request? Another member may have just what you're looking for sitting unused in their garage, or they may know where you can get one.

If you have useful items that you are loath to throw away, why not put up a post, offering them to other members, before consigning them to the tip?

Official Facebook page: Private Group

<https://www.facebook.com/groups/cannockchaseshedders>

Meet the Committee

Dave Shaw	Chairman
Leslie Jukes	Deputy chairman
Barry James	Health & Safety
Avril Green	Fundraising/Secretary
Graham Johnson	Treasurer
Tim Cutler	Project Manager

Shed Media

Peter Ross	Website/Facebook Group
Bob Mason	Newsletter

Could you...



- Sort through your photos and send me a picture and a few words? – your pet, garden, favourite holiday, your most useful tool, a current or past project, a cooking success (or disaster) or favourite recipe? – Pretty much anything you like.
- send me a suggestion of something you'd like to see included in the newsletter? – anything from just a broad idea, to a finished article.
- send in a 'reader's letter'? Share an anecdote or treasured memory? Share your expertise with those who have less experience?
- Send in something else, or help in another way that I haven't even mentioned?

Or if your shy pass it to one of the committee!!!

Notices

Can any member wishing to book a session either on Monday morning or Monday afternoon on the 12th of July please phone me on 07964851114.

The hours for the morning are:

9-30am to 12-30pm

and the afternoon is:

1-00pm to 4-00pm.

Also, a reminder that to book a session you will need to have had both covid vaccine jabs or if you haven't had the jabs you will need to take a lateral flow test at least 12 hours before coming to the Shed.

I understand that most members prefer mornings because of other commitments in the afternoon but as we are now paying £15 a day could some members please try and book an afternoon, it would also spread out the amount of members in any one session. We will also need a supervisor for each session so if any member who is present at one of the sessions can do that it would be much appreciated.

Cleaning, washing up, tidying etc: needs to be started at least 15mins before the end of each session and maybe a little earlier in the afternoon as the keys have to be returned to the museum for 4-15pm.

Lastly, due to Government restrictions being extended until July 19th social distancing and wearing masks inside the Shed will still be required. If you don't have a mask with you, one can be supplied.

If anyone has changed their phone number or email address since first joining the Shed can they please send the new details to Graham at enquiries@cannockchaseshed.org.uk so he can update his records.

Diary Dates: **3rd August** – 10:30 Shed AGM (Provisional)

CCShed Membership status:

Extended Membership ends this month (June) and Annual Fees will again be due on 1st July 2021. Reduced this year to £17.50. Please pay Treasurer Graham direct by cash, cheque made out to Cannock Chase Shed or, direct debit giving your name and 'Fees' as Ref if there's room. Cannock Chase Shed. Sort Code 30 96 26 Account Number 47466468.

Crossword #13

Across

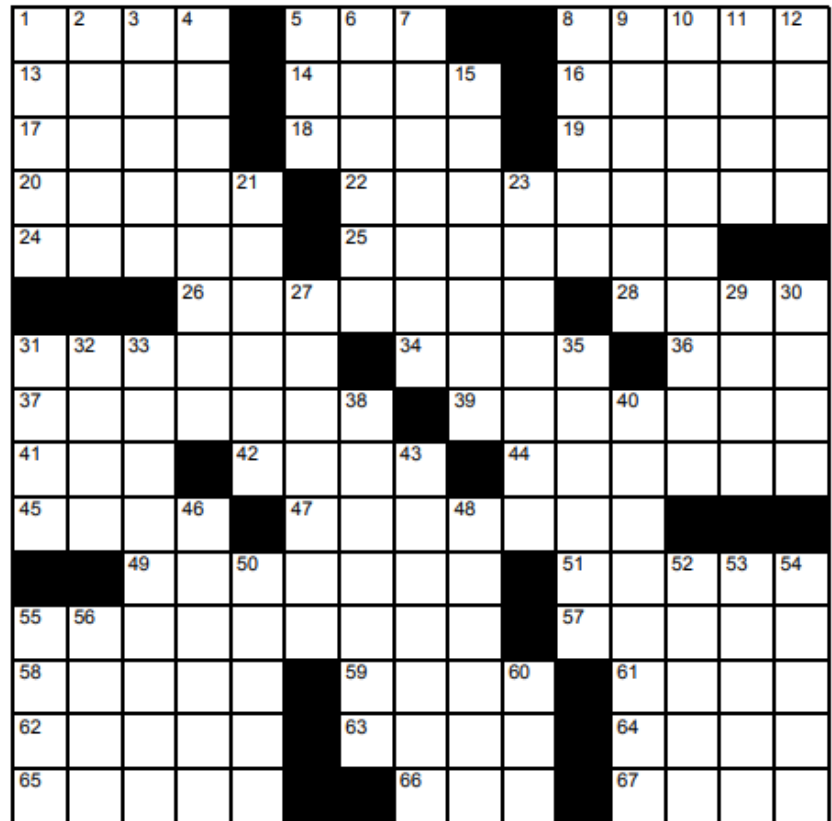
- 1. Get cracked
- 5. "Have some"
- 8. Indy entrant
- 13. Overdue
- 14. Not up
- 16. "Dreams from My Father" author
- 17. Old-time outburst
- 18. Mysterious character
- 19. Hand-dyed fabric
- 20. Bond villain Goldfinger
- 22. Smother
- 24. Stable sound
- 25. Mistake in print
- 26. Conference site
- 28. Sprawling story
- 31. Enter the picture

- 34. Sandy hill
- 36. Like sushi
- 37. Climbing plant
- 39. Hopeless feeling
- 41. Sun follower?
- 42. Symphony member
- 44. Lean
- 45. Flock members
- 47. Go-between
- 49. Becomes fond of
- 51. "Laugh-In" co-host
- 55. Brought in, as crops
- 57. Cashless deal
- 58. Studio sign
- 59. "National Velvet" author Bagnold

- 61. Malarial fever
 - 62. Determined
 - 63. "How ___!"
 - 64. Pinochle play
 - 65. Decorative jugs
 - 66. Con's confines
 - 67. Culturally showy
- Down**
- 1. Fresh from the shower
 - 2. World Court city, with "The"
 - 3. Video game pioneer
 - 4. Family tree
 - 5. Something to lend
 - 6. Problem drinker, e.g.

- 7. Like some professors
- 8. Sci-fi droid
- 9. Computing device
- 10. Boat with two hulls
- 11. Radiate
- 12. Autumn tool
- 15. Rip off
- 21. Penny pincher
- 23. Obesity
- 27. High-pitched voices
- 29. Horse's stride
- 30. Out of whack
- 31. Top spot
- 32. Ship's front
- 33. Get through

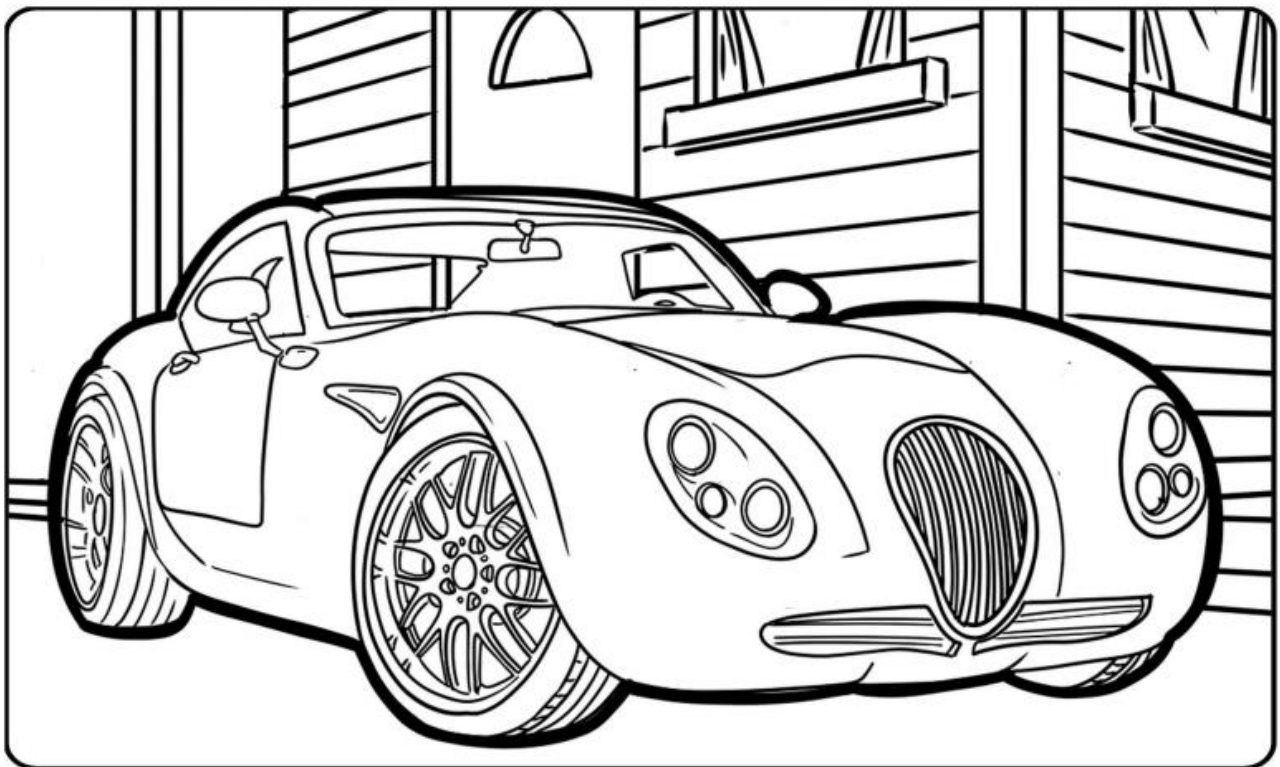
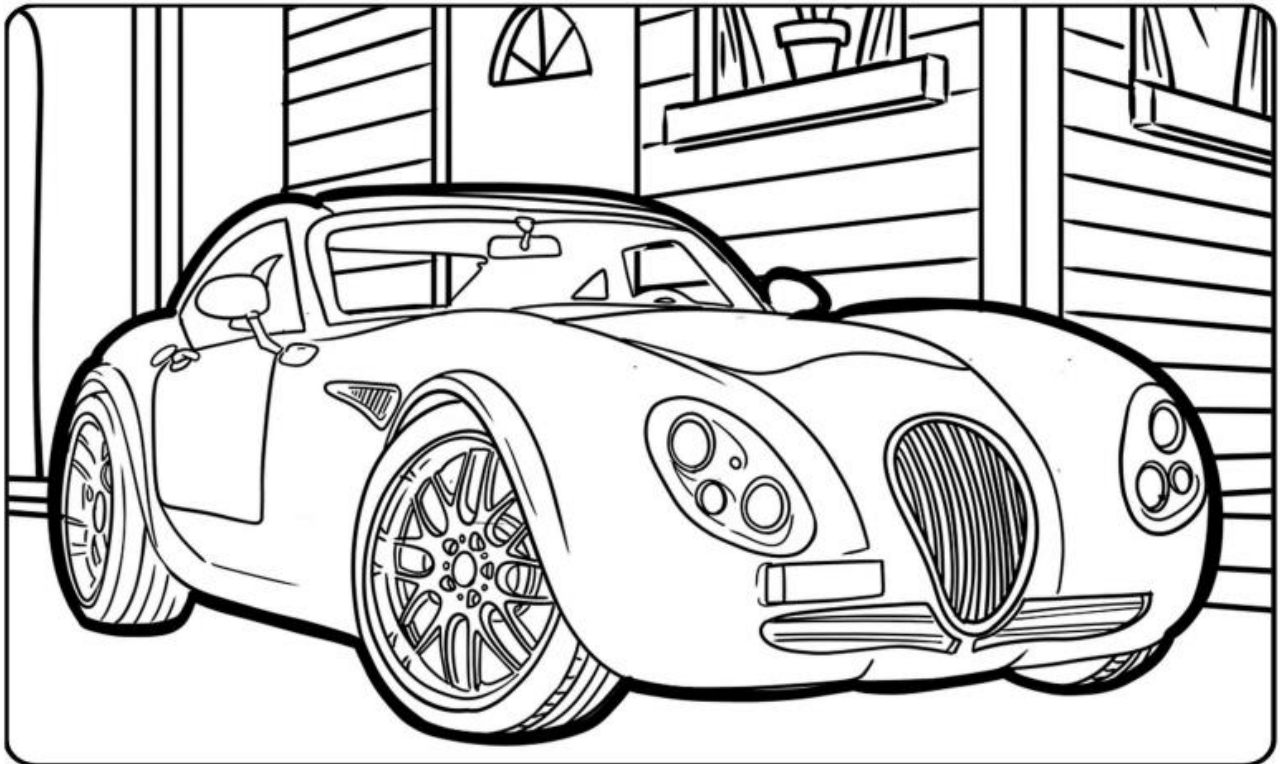
- 35. Accompany to a party
- 38. Revel noisily
- 40. Scenic view
- 43. Totally gone
- 46. Jesus, for some
- 48. Chemical salt
- 50. Joanna of "Growing Pains"
- 52. Make a bet
- 53. Legally of age
- 54. Down-and-out
- 55. Nozzle site
- 56. From scratch
- 60. Place to hole up



Free printable courtesy of PrintitFree.net

SPOT THE DIFFERENCE

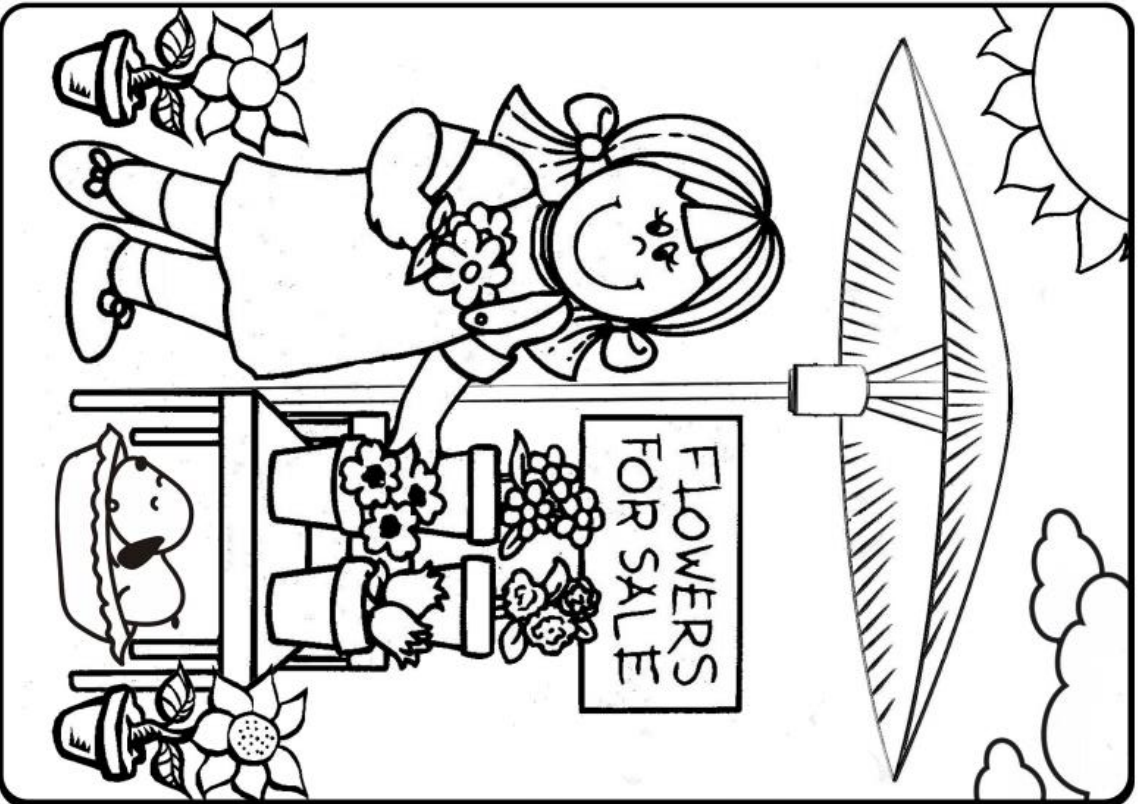
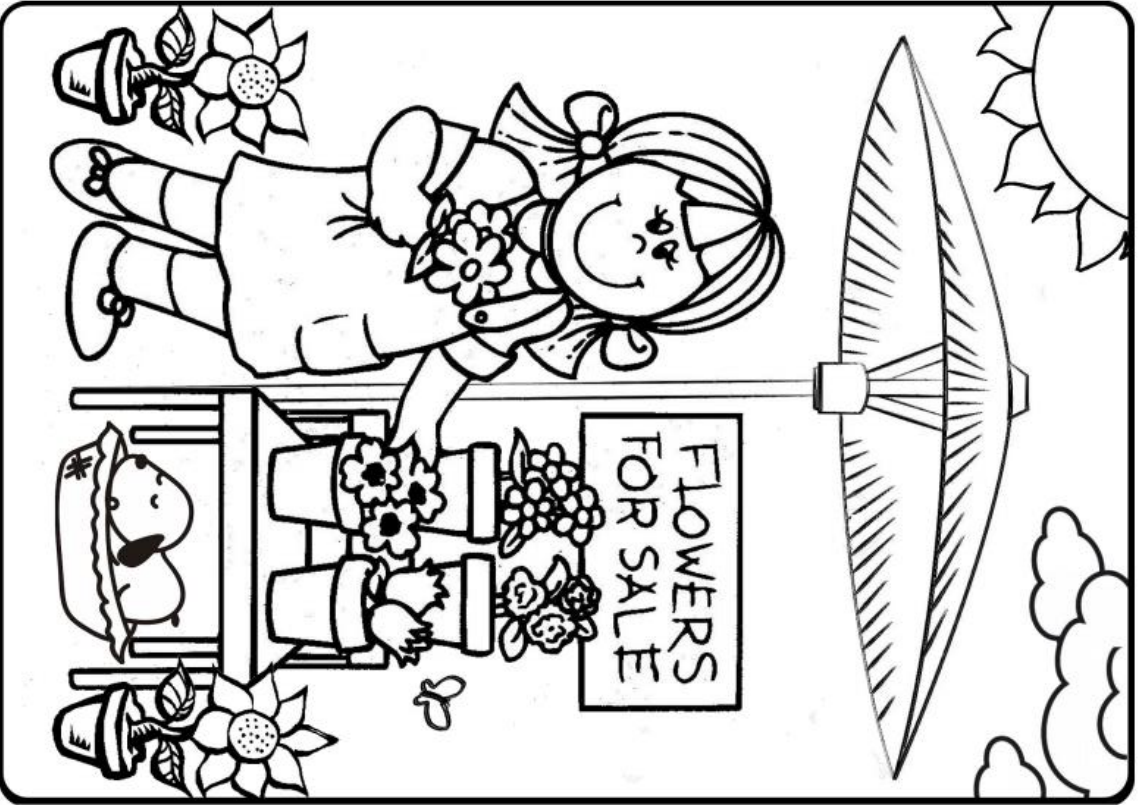
Can you spot the 8 differences between these two pictures?



Free printable courtesy of PrintitFree.net

SPOT THE DIFFERENCE

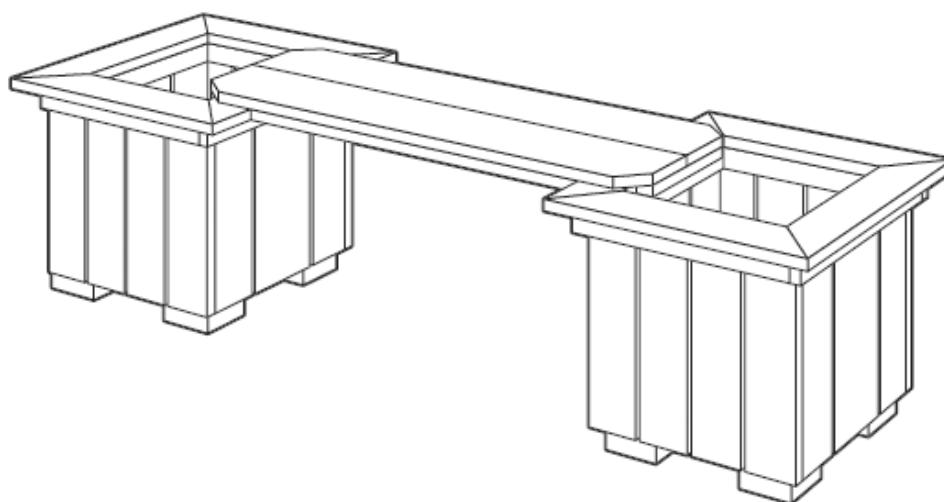
Can you spot the 11 differences between these two pictures?



Project – Planter Bench



WOODWORKS: INTERMEDIATE PROJECT 2008-2009 MODULAR PLANTER BENCH



The beauty of this modular system is that it can be as short or long as you like; it can be straight, or it can take hard lefts or rights to follow the footprint of a deck or patio. And, best of all, it's simple, quick and inexpensive to build. You'll be "up" and sitting in a few hours.

In this intermediate-level project, you'll gain experience in making precise crosscuts and miter cuts and in doing an equally precise assembly. And after you build it, you'll learn more about applying and using finishes to protect the wood and keep it looking beautiful.

TOOLS REQUIRED

Power Tools

- Table saw
- Miter or radial-arm saw
- Power drill with drill bits, countersink bit and Phillips-head screwdriver bit
- Orbital or finish sander

Miscellaneous

- Tape measure
- Pencil
- Safety glasses
- 120-grit sanding belt
- 120-, 150- and 220-grit sandpaper
- Clean, lint-free cloths
- Respirator
- Gloves for finishing
- Mineral spirits, for oil-based waterproofer
- Good quality, natural-bristle brush (for oil-based waterproofer) or synthetic-bristle brush (for water-based waterproofer)

SHOPPING LIST

Wood Recommendation: Pressure-treated pine

Alternate Wood: Any other type of rot-resistant wood

For two planters and one bench:

60 lin. ft. 1x4 pressure-treated pine or alternate

6 lin. ft. 1x8 pressure-treated pine or alternate

4 lin. ft. 5/4x6 pressure-treated pine or alternate

3 lin. ft. 2x4 pressure-treated pine or alternate

Wood glue rated for exterior use

Woodworker's Tip: Knots can weaken a board and spell disaster, especially on furniture, so be sure to select boards with the fewest knots and to plan your cuts around any knots.

HARDWARE

Use either stainless-steel or coated exterior-grade fasteners

1-1/4" screws 180

2-1/2" screws 32

6d galvanized finish nails 24

CUTTING LIST

Overall dimensions		
Planter:		
Bench: 11" x 42"		
Key	Part	Size & Quantity
Planter boxes (amounts for two boxes)		
A	Inner frames	1x2 x 12-1/2", 16 pcs.
B	Sides	1x4 x 13-1/2", 24 pcs.
		1x6 x 13-1/2", 4 pcs.
C	Floor	1x4 x 13-1/4", 6 pcs.
D	Feet	2x4 x 3-1/2", 8 pcs.
E	Top trim	1x2 x 15-1/2", 8 pcs.
F	Top frame	1x4 x 18-1/2", 8 pcs. (18-1/2" on the long side; ends are mitered at a 45° angle)
Bench (amounts for one 42"-long bench)		
G	Bench boards	5/4x6 x 42", 2 pcs.
H	Guide cleats	1x1 x 8", 4 pcs.
I	Trim strips	1x1 x 33", 2 pcs.

WOOD FINISHING PRODUCTS

Recommended Finish

Thompson's® WaterSeal® Advanced Wood Protector Sheer Nutmeg Brown

Alternate Finish

Thompson's® WaterSeal® Waterproofer Plus Clear Wood Protector

BEFORE YOU BEGIN

Good craftsmanship begins and ends with good work habits, so make the following steps part of your routine workshop practice. If you have any doubts or questions about how to proceed with a project, always discuss them with your shop instructor.

- Carefully and fully review plans and instructions before putting a tool to the project lumber.
- Work sensibly and safely. Wear safety goggles when doing work that creates flying chips and sawdust; wear the appropriate respirator whenever making sawdust or working with thinners or other solvents.
- At the end of every work session, clean up your shop area and put away all portable tools.

CUTTING AND ASSEMBLY PROCEDURE

Planter boxes

1. Cut parts A, B, C, and D to length. Rip part A to the required width from 1x4 stock. Rip the four wide side pieces to the required width (5-1/2") from 1x8 stock. (Note: parts H and I will also be ripped from this stock, or from scrap.) To speed the job, clamp a stop block to the fence so you can quickly make repeat cuts without measuring every piece. Rip part A to the required width. (Note: Parts dimensioned as 1x2, 1x4, etc., refer to nominal dimensions. The actual size of a 1x2 is 3/4" x 1-1/2"; a 1x4 measures 3/4" x 3-1/2".)

2. Drill and countersink pilot holes through the inner frames (A) corresponding to the spacing of the side pieces (B) and using two 1-1/4" screws for each end of the boards to minimize cupping (Fig. 2). Use scrap to cut 1/4"- and 3/8"- thick spacers to ensure even gaps between the side pieces. The 3/8" spacers go between 1x4s and 1x6s, and the 1/4" spacers are for sides that are all 1x4s. Your goal is to make each space on a given side the same. Check this dimension before cutting the spacers.

3. Start fastening the side pieces (B) to the inner frames. Apply glue to the surfaces that will meet the frames and arrange the pieces so they're square to the inner frame. Drill shallow, 1/2"-deep pilot holes into the side pieces through the existing holes in the inner frames and drive 1-1/4" screws into the holes. Fasten the sides to one frame at a time; repeat the process for the second frame.

4. Glue and fasten the floor pieces (C) to the top of the lower frame, again using four screws per board to minimize cupping. Use the 1-1/4" screws.

5. Glue and fasten the feet (D) to the underside of the box (as shown in Fig. 1). Use the 2-1/2" screws.

6. Rip the top trim pieces (E) to the required width from 1x4 stock. Cut them to the actual length required and glue and fasten them along the top edge of the box (Fig. 1).

7. Cut the top frame pieces (F) to the actual length required. Use glue and the 1-1/4" screws to join the corners and make the frame. Then glue and nail the frame onto the top of the box with 6d galvanized finish nails. Set the nail heads below the surface and fill the holes with wood filler. After the filler dries, sand the top so the miter joints are smooth (Fig. 2).

Bench

8. Cut the bench boards (G) to length and cut the corners (as shown in Fig. 1). Rip parts H and I from stock left over from the 1x8 or from scrap. Cut them to length.

9. Position and install the guide cleats (H) (as shown in Fig. 4). Use a scrap of 1x4 plus pieces of cardboard to determine the spacing and ensure a loose fit when the bench is set on the planters. Use glue and the 1-1/4" screws to secure the cleats.

10. Position and install the trim strips (I) with glue and the 1-1/4" screws. Sand all edges to soften sharp corners.

PROTECTING YOUR PROJECT

Any type of wood that's used outdoors needs protection from water damage. There are a variety of protective coatings available, including clear and tinted wood protectors and semitransparent and solid stains. Each of these finishes has a different look and maintenance requirement.

To provide complete protection for your project, use Thompson's® WaterSeal® Advanced Tinted Wood Protector or Thompson's® WaterSeal® Waterproofer Plus Tinted Wood Protector. Both products not only prevent water damage, but also resist damage from mildew and ultraviolet (UV) radiation in sunlight, and they exceed industry standards for waterproofing on wood. Plus, the transparent tint will give plain pine just the right amount of rich wood tone. These products are available in five beautiful sheer wood tones.

Woodworker's Tip: Always be sure to choose a waterproofer that claims to exceed industry standards for waterproofing on wood.

FINISHING TIPS

- Coverage: The approximate coverage of Thompson's® WaterSeal® Advanced Tinted Wood Protector and Thompson's® WaterSeal® Waterproofer Plus Tinted Wood Protector on pine is 200 square feet per gallon.
- When you apply Thompson's® WaterSeal® Advanced Tinted Wood Protector or Thompson's® WaterSeal® Waterproofer Plus Clear or Tinted Wood Protector, do not mix it with other waterproofing products, because variations in the final appearance of the surface being treated may result. Also, do not thin these products.

Recommended Finish

11. Before applying Thompson's® WaterSeal® Advanced Tinted Wood Protector, the wood surface must be free of all dirt, wood dust and contaminants. This product can be applied to damp, freshly cleaned wood. If the wood needs cleaning, use Thompson's® WaterSeal® Deck Cleaner & Brightener or Thompson's® WaterSeal® Deck Wash. Read and follow the directions found on the back of the can. After the cleaning is done, read and follow the directions found on the back of the can of the Tinted Wood Protector. Then do a trial test before full application. The surface may darken slightly with application and color appearance is different when the wood is fully dry.

12. When applying this product, do not use it with other waterproofing products, as variations in the final appearance of the wood may result. Do not thin. To ensure good penetration, do not apply in direct sunlight or on hot days. Do not apply if rain is expected within 48 hours.

Also, temperature must be above 50° F and remain above freezing for 24 hours.

13. Shake or stir contents for a minimum of 2 minutes before use. Intermix all containers (of the same color) to be used to assure color uniformity.

14. Use a paint pad or brush to apply, do not use a roller. For small projects, a brush is the preferred applicator.

15. Apply only one thin, even coat. **DO NOT APPLY A SECOND COAT.** A heavier or additional coat will not improve performance or appearance. Avoid puddling. Tackiness will result if overapplied. Tackiness may also occur after application if overnight temperature falls below 50°F within 48 hours of application. Drying time will vary depending on wood surface and humidity. Allow a minimum of 12 hours before using the bench.

16. Brushes and equipment used for water-based products must be cleaned with soap and water; brushes used for oil-based finishes must be cleaned with mineral spirits. Dry product can be removed with mineral spirits.

Alternate Finish

17. Before applying Thompson's® WaterSeal® Waterproof Plus Clear Wood Protector read and follow the directions found on the back of the can. Be sure that both surface and air temperature are above 50° F during application and for 48 hours after application. And, if you're working outside, do not apply product if rain is forecasted within 24 hours of application.

18. The surfaces must be free of all dirt, wood dust and all other contaminants. To clean the wood, use either Thompson's® WaterSeal® Deck Cleaner & Brightener or Thompson's® WaterSeal® Deck Wash. If the surface is damp or wet from cleaning or weather, allow the surface to dry thoroughly (a minimum of 48 hours) before application.

19. Do not mix the product with other waterproofing products because variations in the final appearance of the surface being treated may result.

20. Before applying the product over the entire surface, a small trial patch is recommended.

21. In most applications, only one light coat is necessary. Apply with a brush, roller or applicator pad. Regardless of which application method is used, remove excess within 15 minutes by redistributing it to drier areas or wiping it off.

22. Oiliness and tackiness will result if overapplied, or applied to wet or damp surface or if overnight temperature falls below 50° F within 48 hours of application.

23. Allow at least 48 hours to dry before you use the bench.

24. Clean brushes and equipment with mineral spirits, then rinse with clean water.

SAFE DISPOSAL OF RAGS AND WASTE.

DANGER: Rags, steel wool, other waste soaked with this product, and sanding residue may spontaneously catch fire if improperly discarded. Immediately place rags, steel wool, other waste soaked with this product, and sanding residue in a sealed, water-filled metal container. Dispose of in accordance with local fire regulations.

NOTE: The length of protection will vary depending on environment. Perform the following splash test once a year to see whether reapplication is necessary. Sprinkle water on various sections of surface to be sealed. If water absorbs and darkens color of substrate within 5 seconds, the surface is porous and considered ready to be treated. If water beads up or otherwise sits on top of surface, then surface doesn't need protection at this time. For maximum protection from color change and other damage caused by the sun, reapplication is recommended every year. Vertical and horizontal surfaces will experience color changes at different rates.

PRODUCT SAFETY

For your safety and the safety of those you work with, always read the safety warnings, which manufacturers print on their labels, and follow them to the letter. Typical safety advice and instructions will contain information such as the following:

WARNING! Removal of old paint by sanding, scraping or other means may generate dust or fumes that contain lead. Exposure to lead dust or fumes may cause brain damage or other adverse health effects, especially in children or pregnant women. Controlling exposure to lead or other hazardous substances requires the use of proper protective equipment, such as properly fitted respirator (NIOSH approved) and proper containment and cleanup. For more information, call the National Lead Information Center at 1-800-424-LEAD (in US) or contact your local health authority.

Contents are **COMBUSTIBLE**. Keep away from heat and open flame.

Contains **ALIPHATIC HYDROCARBONS**.

VAPOR HARMFUL. Use Only With Adequate Ventilation. To avoid overexposure, open windows and doors or use other means to ensure fresh air entry during application and drying. If you experience eye watering, headaches or dizziness, increase fresh air supply, or wear respiratory protection (NIOSH/MSHATC23C or equivalent), or leave the area. Avoid contact with eyes and skin. Wash hands after using. Keep container closed when not in use. Do not transfer contents to other containers for storage.

FIRST AID: In case of eye contact, flush thoroughly with large amounts of water for 15 minutes and get medical attention. For skin contact, wash thoroughly with soap and water. In case of respiratory difficulty, provide fresh air and call physician. If swallowed, get medical attention immediately.

DELAYED EFFECTS FROM LONG-TERM OVEREXPOSURE.

Contains solvents which can cause permanent brain and nervous system damage. Intentional misuse by deliberately concentrating and inhaling contents may be harmful or fatal.

WARNING: This product contains a chemical known to the State of California to cause cancer and birth defects or other reproductive harm. **DO NOT TAKE INTERNALLY. KEEP OUT OF REACH OF CHILDREN.**

FIG. 1.

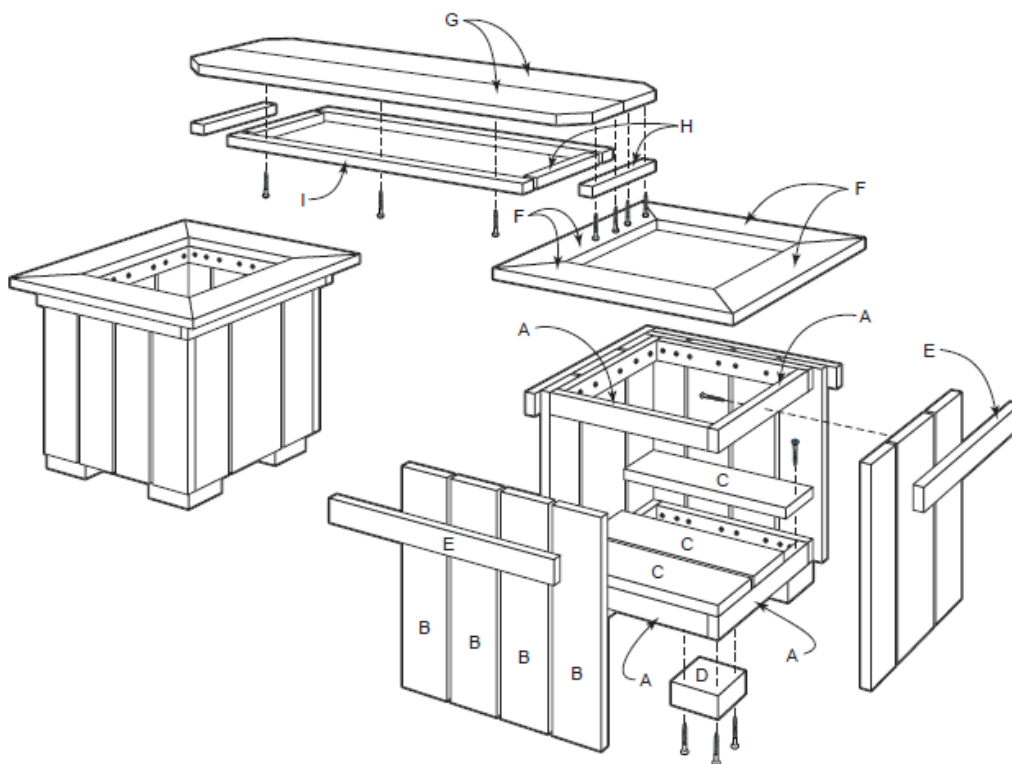


FIG. 2

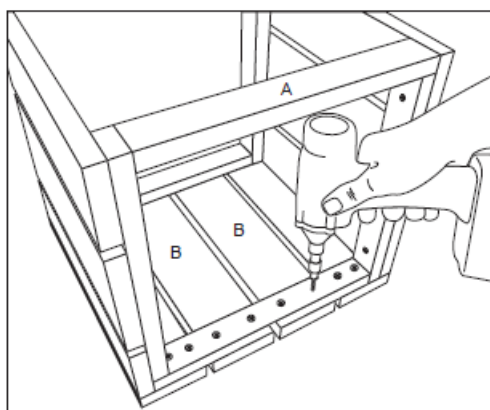


FIG. 3

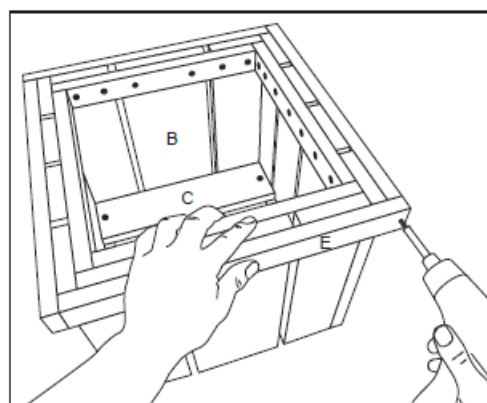
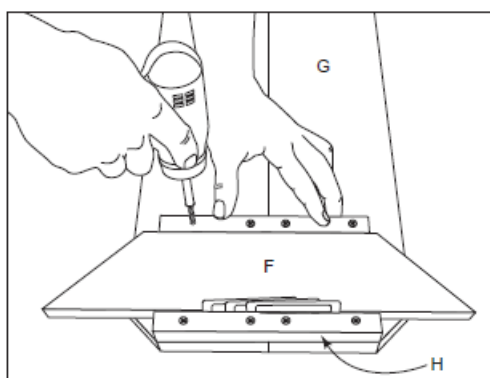


FIG. 4



Wordsearch

car makes

	q	a	k	n	i	t	r	a	m	h	n	o	t	s	a	
n	i	t	s	u	a	p	e	u	g	e	o	t	j	a	i	k
n	i	s	s	a	n	z	j	s	e	d	e	c	r	e	m	v
t	r	s	i		r	a	u	g	a	j	o		h	c	h	t
o	o	u	y	v	a	u	x	h	a	l	l	q	o	v	p	n
y	v	x	a	d	o	k	s		a	u	d	i	n	o	m	a
o	e	e	l	a	n	d	x	r	o	v	e	r	d	l	u	i
t	r	l	y		o	o	w	e	a	d	t		a	v	i	l
a	t	l	u	a	n	e	r	y	y	n	j	a	b	o	r	e
b	a	a	s	s	m	a	r	t	f	o	r	d	i	m	t	r
	v	e	c	y	o	r	k	s	l	l	o	r	q	f	w	

austin	honda
rover	jaguar
triumph	toyota
lexus	land rover
mercedes	renault
ford	vauxhall
peugeot	daewoo
reliant	nissan
audi	bmw
rolls royce	smart
fiat	saab
kia	skoda
volvo	aston martin

The Alphabet



A'S for arthritis;
B'S the bad back,
C'S the chest pains,
Perhaps car-d-iac?



D is for dental decay and decline,
E is for eyesight, can't read that top line!
F I s for fissures and fluid retention,
G is for gas which I'd rather not mention.



H.. High blood pressure--I'd rather it low;

I.. For incisions with scars you can show.

J I s for joints, out of socket, won't mend,

K is for knees that crack when they bend.

L 's for libido, what happened to sex?

M is for memory, I forget what comes next.

N is neuralgia, in nerves way down low;

O is for osteo, bones that don't grow!



P for prescriptions, I have quite a few,
Just give me a pill and I'll be good as new!

Q is for queasy, is it fatal or flu?

R is for reflux, one meal turns to two.



S is for sleepless nights, counting my fears,

T is for Tinnitus; bells in my ears!

U is for urinary; troubles with flow;

V for vertigo, that's "dizzy," you know.



W for worry, NOW what's going 'round?

X is for X ray, and what might be found.

Y &NB sp; for another year I'm left here behind,

Z is for zest I still have-- in my mind.



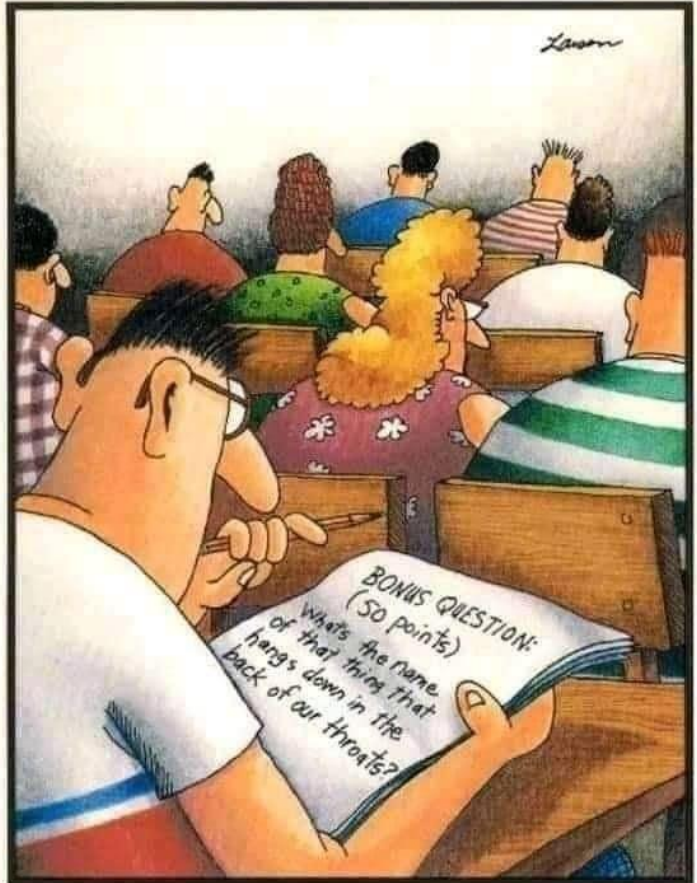
I've survived all the symptoms, my body's deployed, and
I'm keeping twenty-six doctors fully employed!!!



HAVE A GREAT DAY.

Humour

I hate hotel bath towels. So thick and fluffy I can't even close my suitcase!



Final page of the Medical Boards



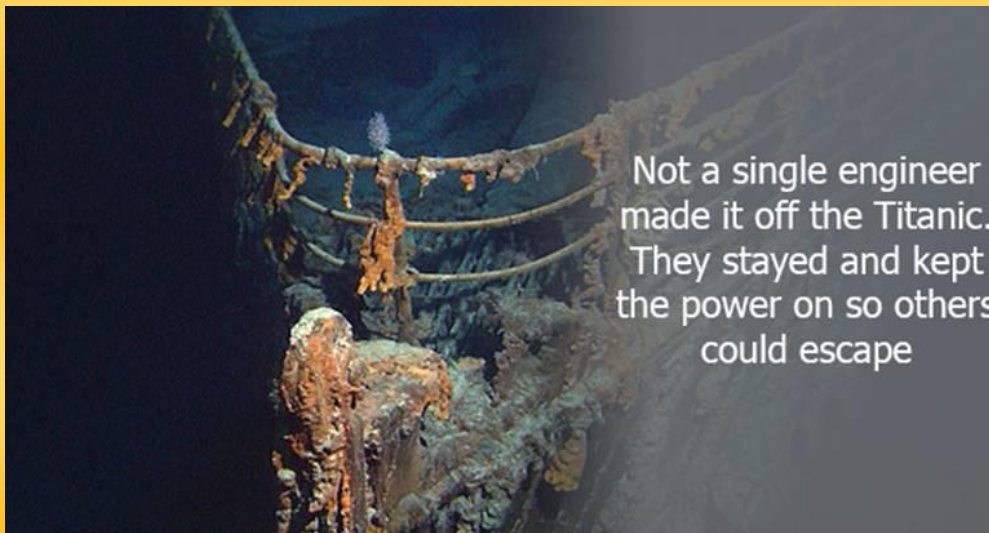
During the siege of Jerusalem in 1917, the British, in an effort to capture the city from an entrenched Ottoman garrison, started to airdrop cigarettes filled with large doses of Opium, hoping that the Ottomans would be too stoned to fight. It worked

KickassFacts.com
facebook.com/kickassfacts

Interesting Facts



KickassFacts.com
The Beatles had a specific clause in their contract that stated that they would not ever have to play for a segregated audience.

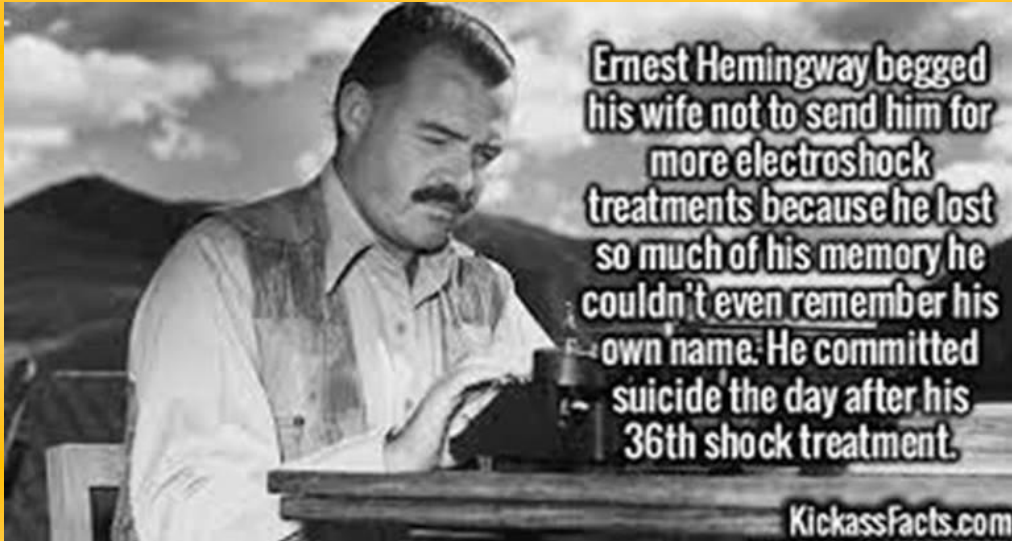


Not a single engineer made it off the Titanic. They stayed and kept the power on so others could escape



After 9/11, 1600 people died in automobile accidents, after they switched their travel plans from flying to driving

KickassFacts.com
facebook.com/kickassfacts



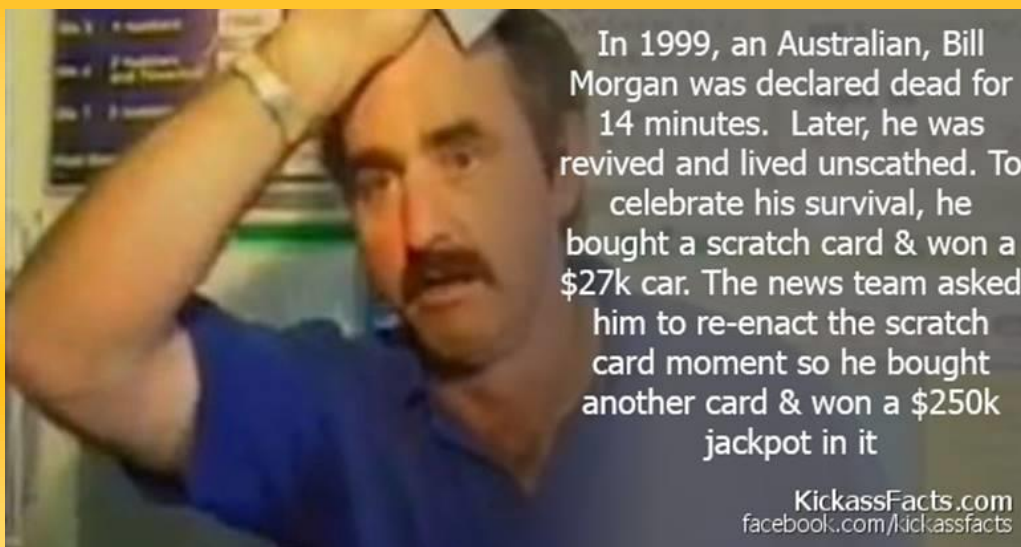
Ernest Hemingway begged his wife not to send him for more electroshock treatments because he lost so much of his memory he couldn't even remember his own name. He committed suicide the day after his 36th shock treatment.

KickassFacts.com



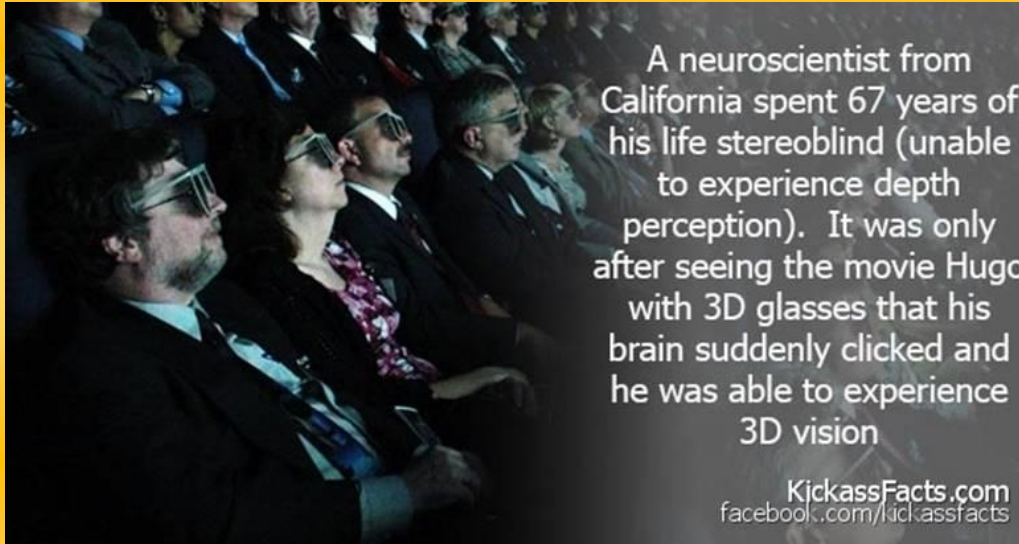
When child actor Jackie Coogan turned 18, he found out all his money (\$68 million) had been spent by his mother, who argued "No promises were ever made to give Jackie anything. Every dollar a kid earns before he is 21 belongs to his parents." Coogan's Bill was then passed to protect child actors

KickassFacts.com
facebook.com/kickassfacts



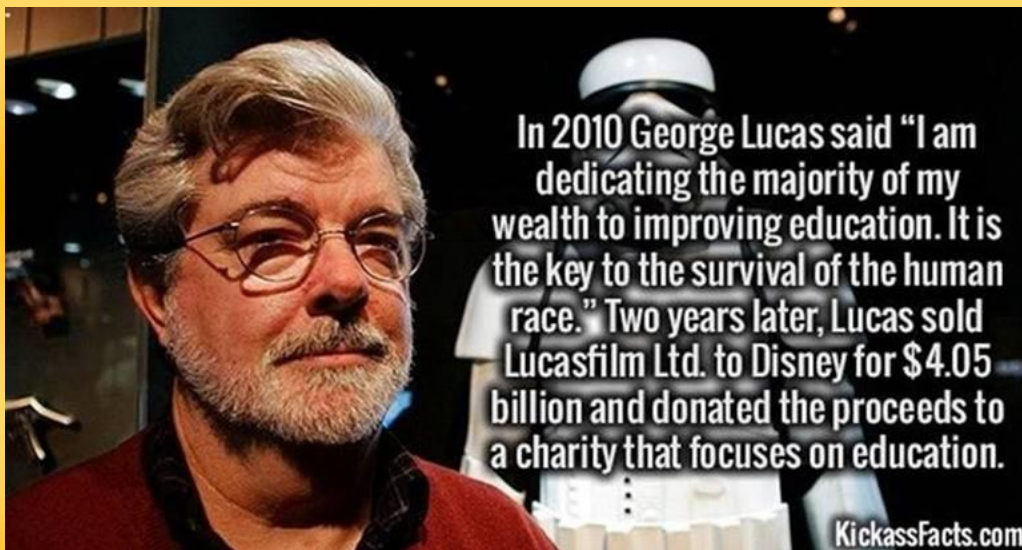
In 1999, an Australian, Bill Morgan was declared dead for 14 minutes. Later, he was revived and lived unscathed. To celebrate his survival, he bought a scratch card & won a \$27k car. The news team asked him to re-enact the scratch card moment so he bought another card & won a \$250k jackpot in it

KickassFacts.com
facebook.com/kickassfacts



A neuroscientist from California spent 67 years of his life stereoblind (unable to experience depth perception). It was only after seeing the movie Hugo with 3D glasses that his brain suddenly clicked and he was able to experience 3D vision

KickassFacts.com
facebook.com/kickassfacts




In 2010 George Lucas said "I am dedicating the majority of my wealth to improving education. It is the key to the survival of the human race." Two years later, Lucas sold Lucasfilm Ltd. to Disney for \$4.05 billion and donated the proceeds to a charity that focuses on education.

KickassFacts.com



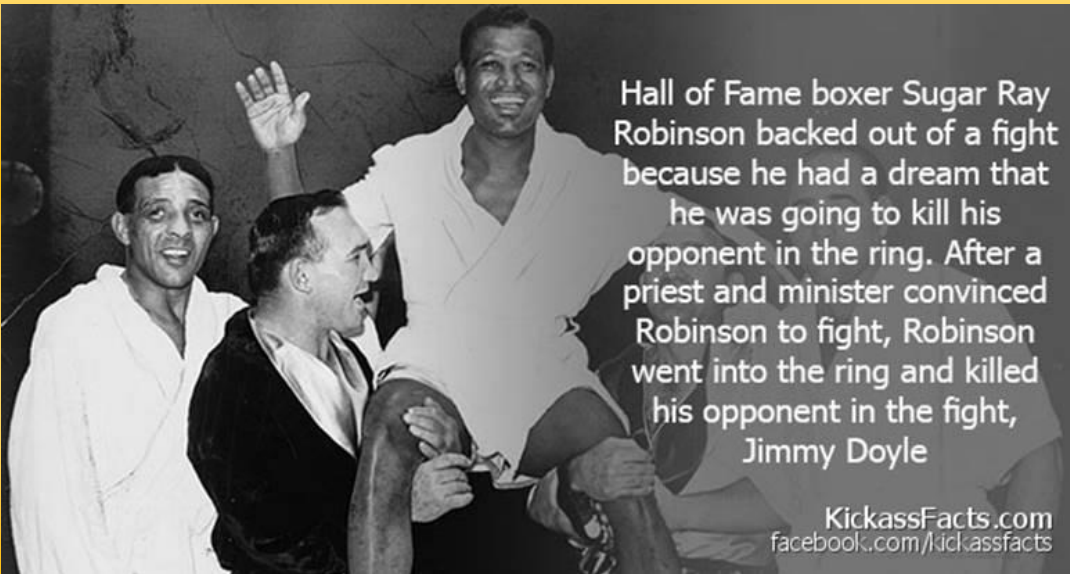
During the Siege of Leningrad in WWII, 9 Soviet scientists died of starvation while protecting the world's largest seed bank, refusing to eat what they saw as their country's future

KickassFacts.com



When 3 people tried to sell Coca Cola's secret formula to Pepsi, Pepsi informed the management at Coca Cola headquarters and called the FBI

KickassFacts.com
facebook.com/kickassfacts



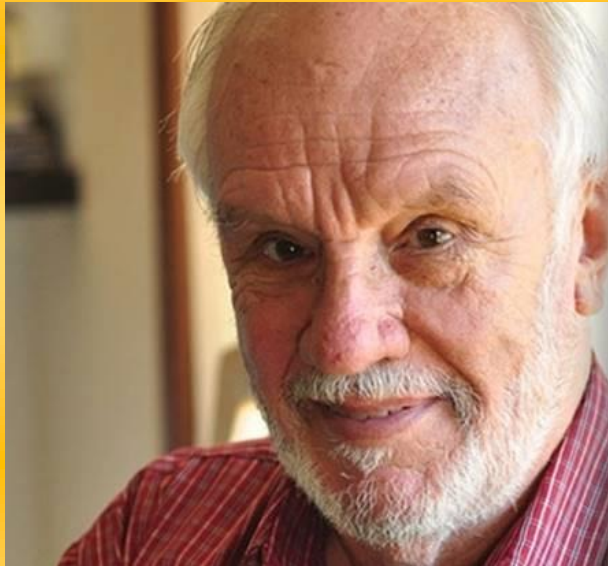
Hall of Fame boxer Sugar Ray Robinson backed out of a fight because he had a dream that he was going to kill his opponent in the ring. After a priest and minister convinced Robinson to fight, Robinson went into the ring and killed his opponent in the fight, Jimmy Doyle

KickassFacts.com
facebook.com/kickassfacts



Following Marilyn Monroe's death, her husband Joe DiMaggio was so devastated that he held a private funeral barring all the Hollywood elite, delivered roses to her grave three times a week for over 20 years, never remarried, and his last words were "I'll finally get to see Marilyn."

KickassFacts.com



After needing 13 liters of blood for a surgery at the age of 13, a man named James Harrison pledged to donate blood once he turned 18. It was discovered that his blood contained a rare antigen which cured Rhesus disease. He has donated blood a record 1,000 times and saved 2,000,000 lives

KickassFacts.com
facebook.com/kickassfacts



Speed is now so important in financial trading that a new \$300 million transatlantic cable was laid down in order to shave 5 milliseconds off communications between New York and London

KickassFacts.com
facebook.com/kickassfacts



If officials awarded Lance Armstrong's 2005 Tour De France title to the next fastest finisher who has never been linked to doping, they'd have to give it to the 23rd place finisher

KickassFacts.com
facebook.com/kickassfacts

Latest Scams

Fake Sainsbury's 'marketing survey' email

Phishing attempts that masquerade as well-known brands are becoming more sophisticated. This time it's Sainsbury's that is being impersonated via an email promising £90 for taking part in a 'marketing survey'. It encourages recipients to part with sensitive personal information.

[Here's what the email looks like.](#)

[Spot fake marketing emails](#)

Your Scams Protection Toolkit

To help you stay protected from scams and avoid falling victim, we've created a [free Scams Protection Toolkit](#) for you. Here, we provide insight into the world of scams; we unpick fraudulent activities and tell you what to look out for, explain how fraudsters operate and how to protect yourself if you've been targeted.

[Your Toolkit](#)

Join us next week for our live Q&A on scams

Join us on Thursday 8 July at 2pm as we host a live Q&A on scams with our Which? Experts.

Scams is a broad area, so now's the time to get your questions in early.

[Let us know in the comments](#) what you'd like to ask in advance of the event – you can also ask your questions live at the event itself. We're looking forward to chatting with you next Thursday.

[Ask our experts](#)

If you've received an email from Which? that you suspect to be a scam, please get in touch: [which.co.uk/contact-us](https://www.which.co.uk/contact-us)

Stay safe,

Which? scam alert team

PS Please share this information with your friends, family and neighbours – anyone who may find it helpful. Or they can [sign up here](#) to receive this directly to their inbox.

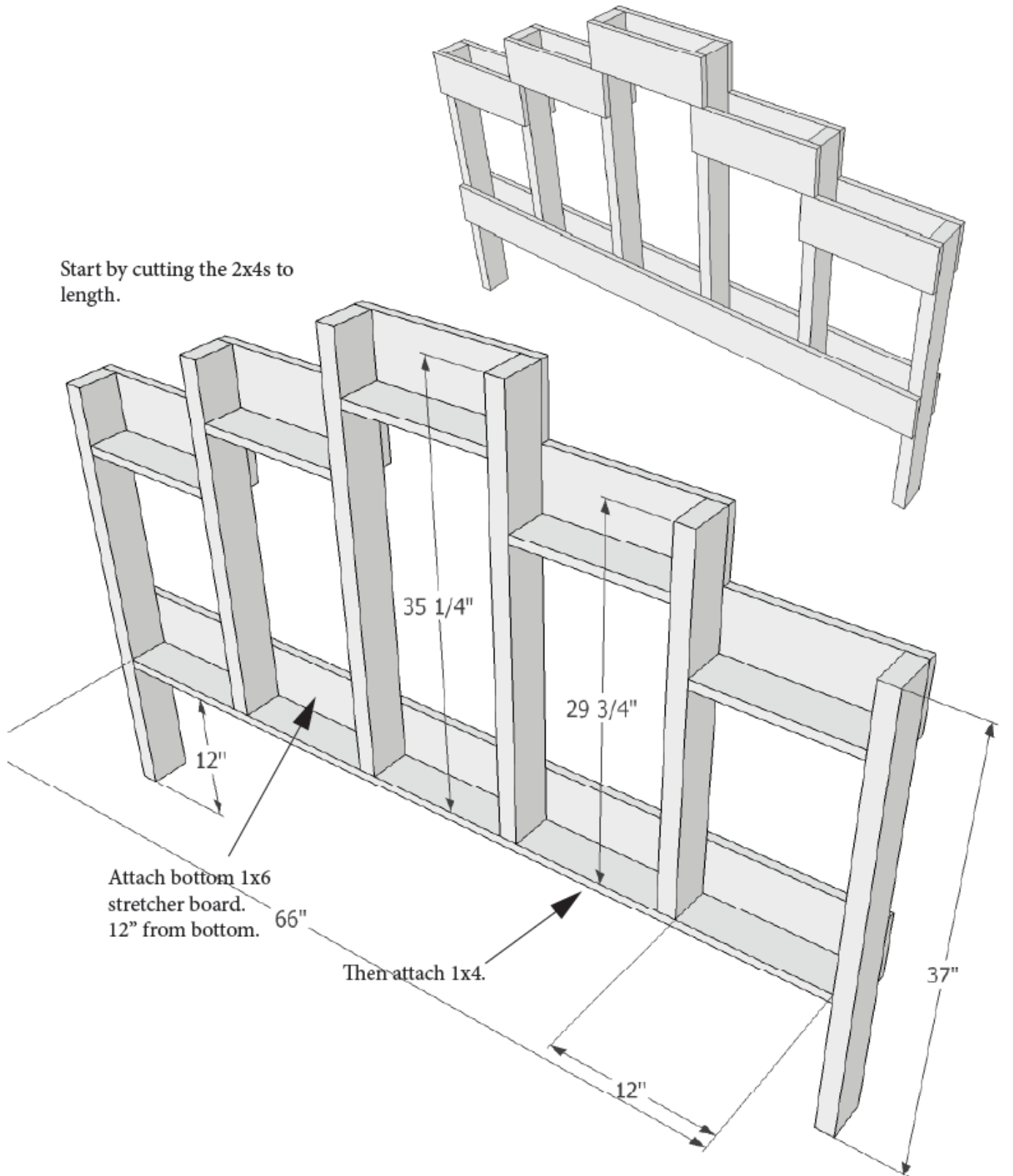
Project – Raised Herb Garden

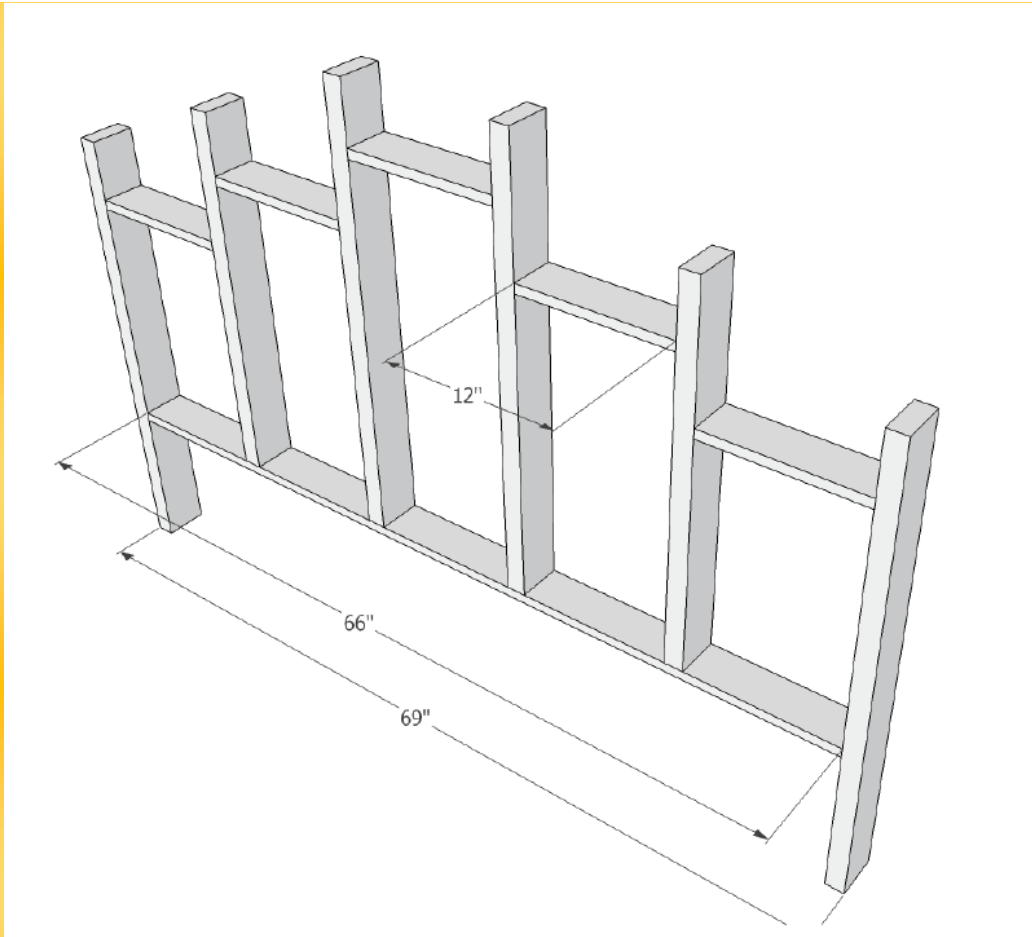
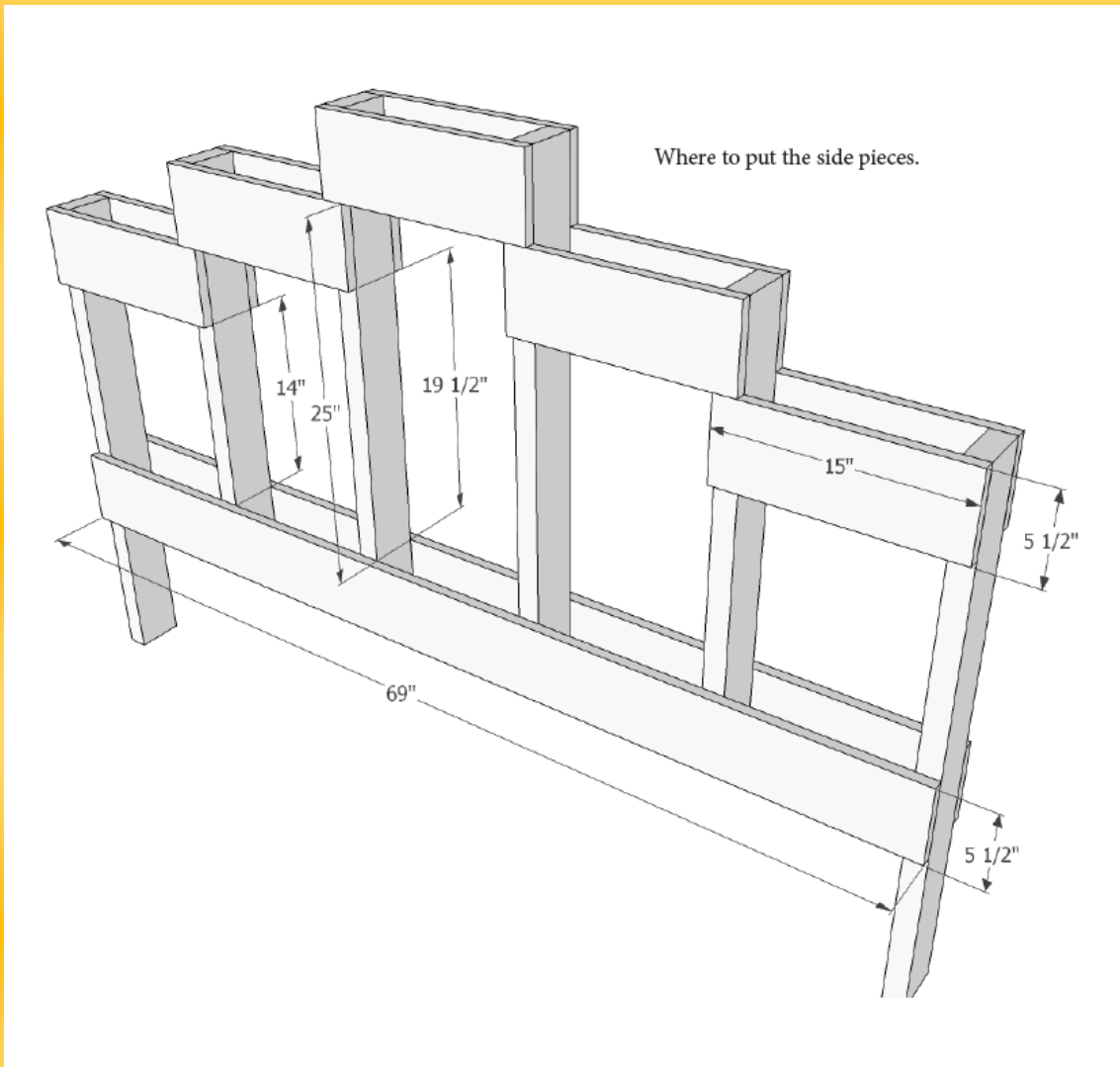


Raised Herb Garden



Start by cutting the 2x4s to length.





Answers to Puzzles

Solution for Crossword #13

1	C	H	A	P		5	E	A	T		8	R	A	C	E	R			
13	L	A	T	E		14	A	B	E	D		16	O	B	A	M	A		
17	E	G	A	D		18	R	U	N	E		19	B	A	T	I	K		
20	A	U	R	I	C	21		22	S	U	F	23	F	O	C	A	T	E	
24	N	E	I	G	H	25	E	R	R	A	T	U	M						
					26	R	E	T	R	E	A	T		28	S	A	G	A	
31	A	P	P	E	A	R		34	D	U	N	E		36	R	A	W		
37	C	R	E	E	P	E	R		38		39	D	E	S	P	A	I	R	
41	M	O	N		42	O	B	O	E		43		44	S	C	A	N	T	Y
45	E	W	E	S	46		47	L	I	A	48	S	O	N					
			49	T	A	K	E	S	T	O		51	R	O	W	A	N		
55	H	A	R	V	E	S	T	E	D		57	T	R	A	D	E			
58	O	N	A	I	R		59	E	N	I	D		61	A	G	U	E		
62	S	E	T	O	N		63	R	U	D	E		64	M	E	L	D		
65	E	W	E	R	S		66	P	E	N		67	A	R	T	Y			

car makes

	q	a	k	n	i	t	r	a	m	h	n	o	t	s	a				
n	i	t	s	u	a	p	e	u	g	e	o	t	j	a	i	k			
n	i	s	s	a	n	z	j	s	e	d	e	c	r	e	m	v			
t	r	s	i		r	a	u	g	a	j	o		h	c	h	t			
o	o	u	y	v	a	u	x	h	a	l	l	q	o	v	p	n			
y	v	x	a	d	o	k	s		a	u	d	i	n	o	m	a			
o	e	e	l	a	n	d	x	r	o	v	e	r	d	l	u	i			
t	r	l	y		o	o	w	e	a	d	t		a	v	i	l			
a	t	l	u	a	n	e	r	y	y	n	j	a	b	o	r	e			
b	a	a	s	s	m	a	r	t	f	o	r	d	i	m	t	r			
v	e	c	y	o	r	k	s	l	l	o	r	q	f	w					